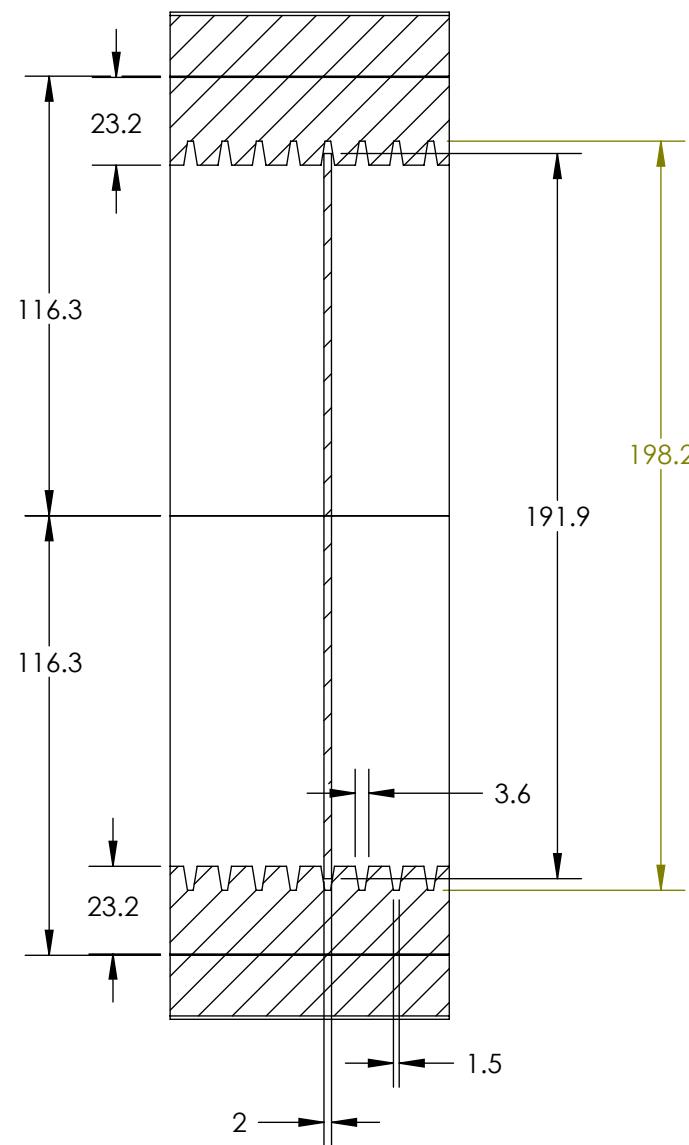
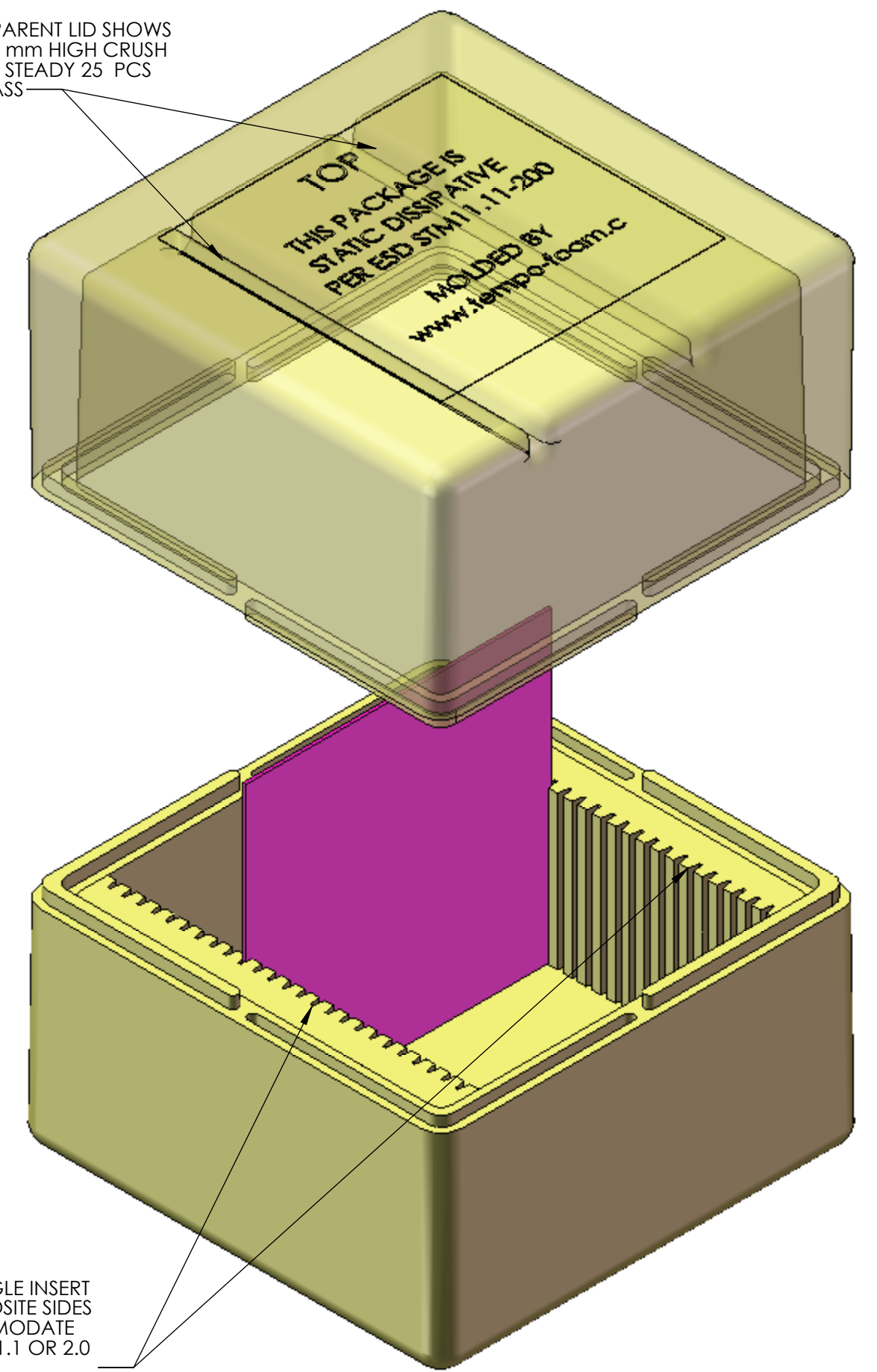


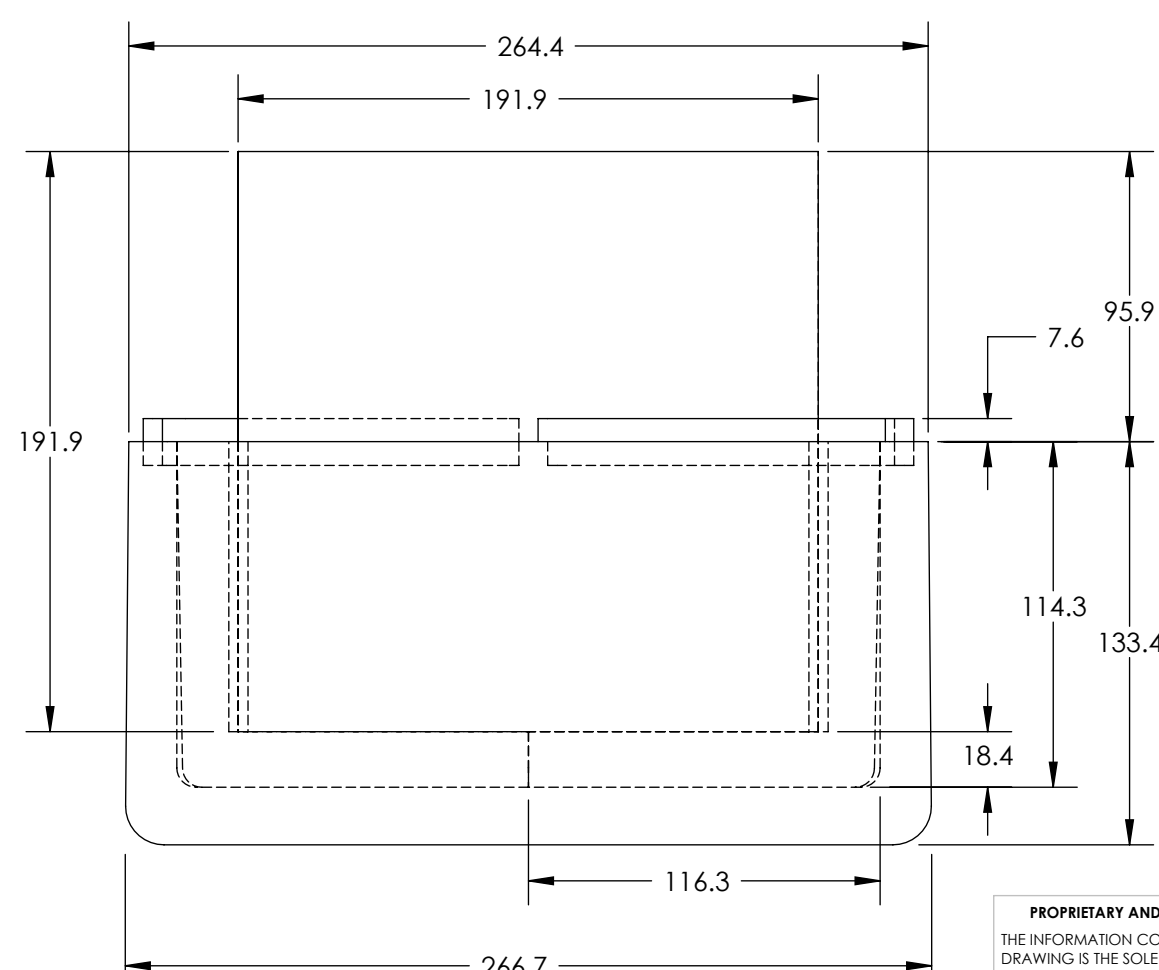
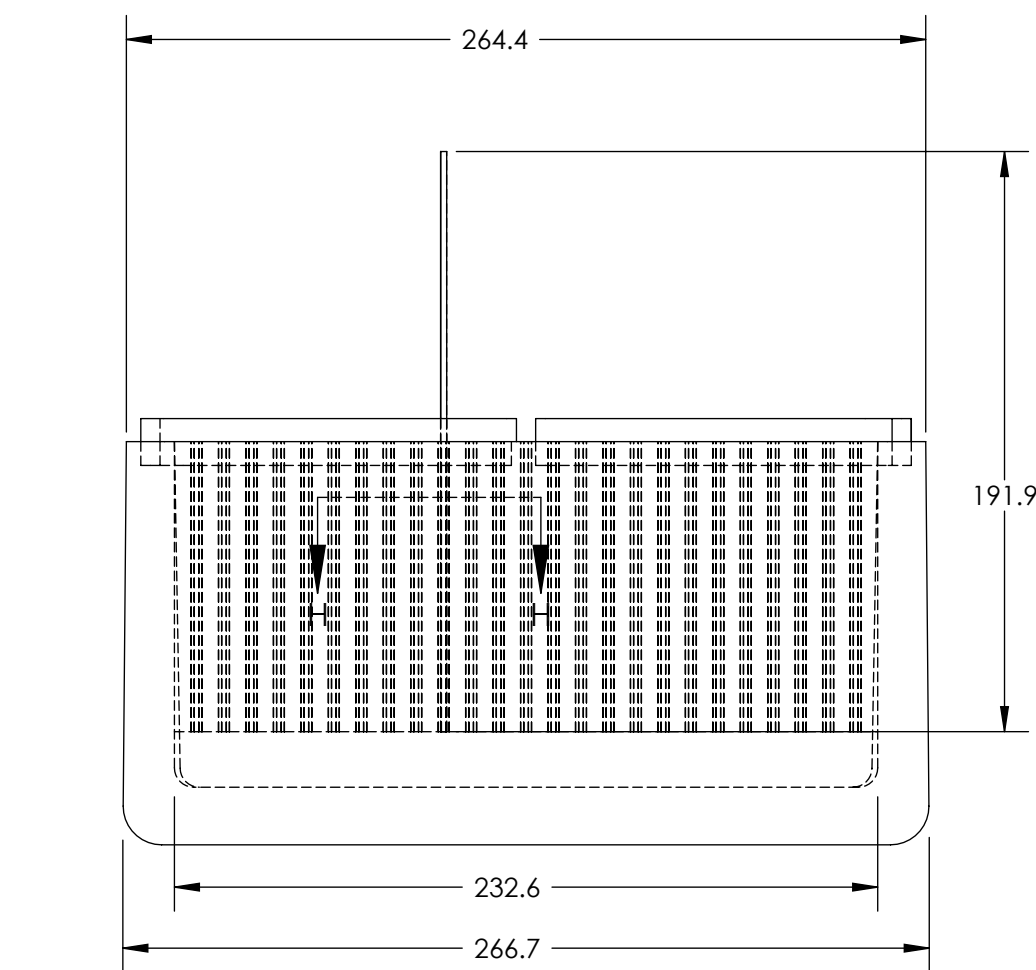
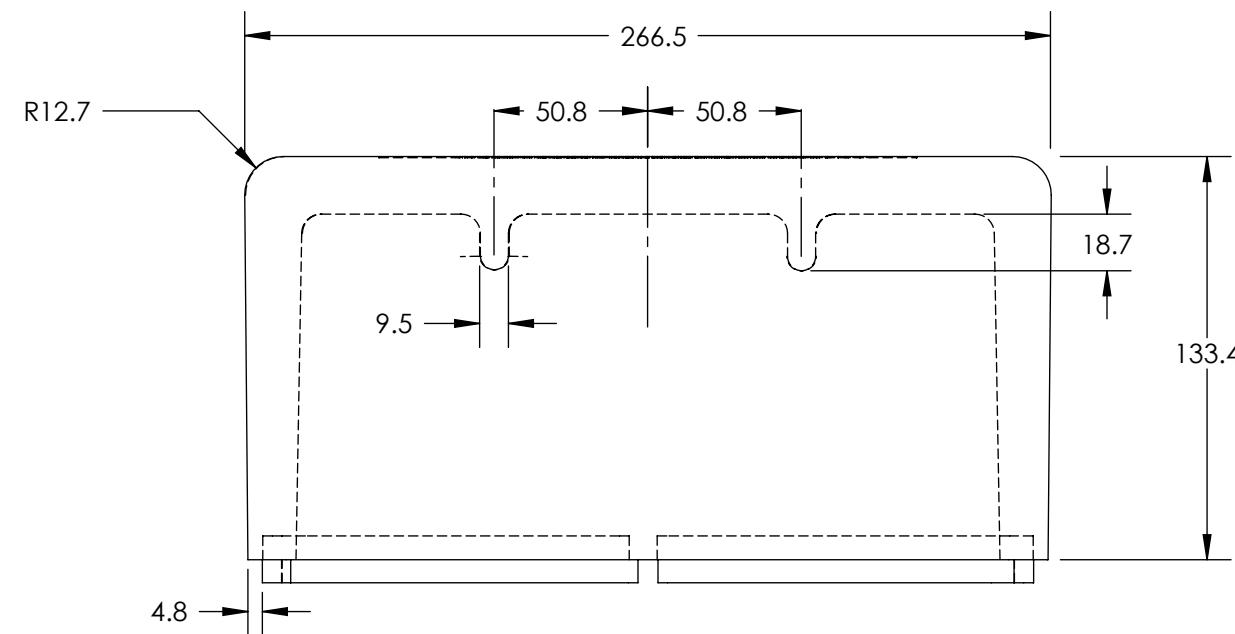
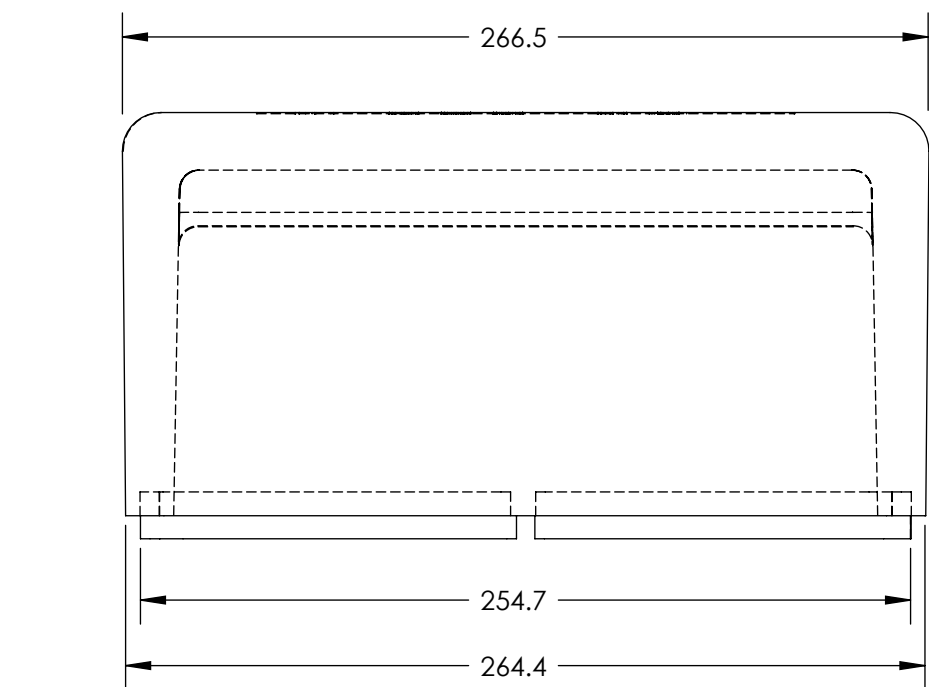
SECTION H-H  
SCALE 1 : 2



TRANSPARENT LID SHOWS  
(2) 18.7 mm HIGH CRUSH  
RIBS TO STEADY 25 PCS  
OF GLASS



SPACER ANGLE INSERT  
ON (2) OPPOSITE SIDES  
TO ACCOMMODATE  
191.9x191.9x1.1 OR 2.0  
THK GLASS



NOTES:

- 1- MATERIAL: DRY MOLDED POLYSTYRENE, 63 gm/liter
- 2- ALL DIMENSIONS ARE IN MILLIMETERS
- 3- WEIGHT: gm
- 4- VOLUME: CU CENTIMETERS

**PROPRIETARY AND CONFIDENTIAL**  
THE INFORMATION CONTAINED IN THIS  
DRAWING IS THE SOLE PROPERTY OF  
TEMPO PLASTIC CO., INC. ANY  
REPRODUCTION IN PART OR AS A WHOLE  
WITHOUT THE WRITTEN PERMISSION OF  
TEMPO PLASTIC CO., INC. IS  
PROHIBITED.

UNLESS OTHERWISE SPECIFIED:		NAME	DATE	TEMPO PLASTIC CO., INC. 1227 N. MILLER PARK COURT VISALIA, CA 93291
DIMENSIONS ARE IN INCHES		DRAWN	J ELLIS	15Apr07
TOLERANCES:		CHECKED	DBR	15Apr07
FRACTIONAL ±		ENG APPR.		
ANGULAR: MACH ± BEND ±		MFG APPR.	DBR	15Apr07
TWO PLACE DECIMAL ±		Q.A.		
THREE PLACE DECIMAL ±		COMMENTS:		
INTERPRET GEOMETRIC TOLERANCING PER:				
MATERIAL				
FINISH				
NEXT ASSY	USED ON			
APPLICATION	DO NOT SCALE DRAWING			
TITLE:		SIZE	DWG. NO.	REV
BASE LID INSERT PKG		<b>C</b>	041507JRE1	
#TPC-390 ASSY FOR		SCALE: 1:5	WEIGHT:	SHEET 1 OF 1
191.9x191.9x1.1 O R2.0				
THK GLASS				