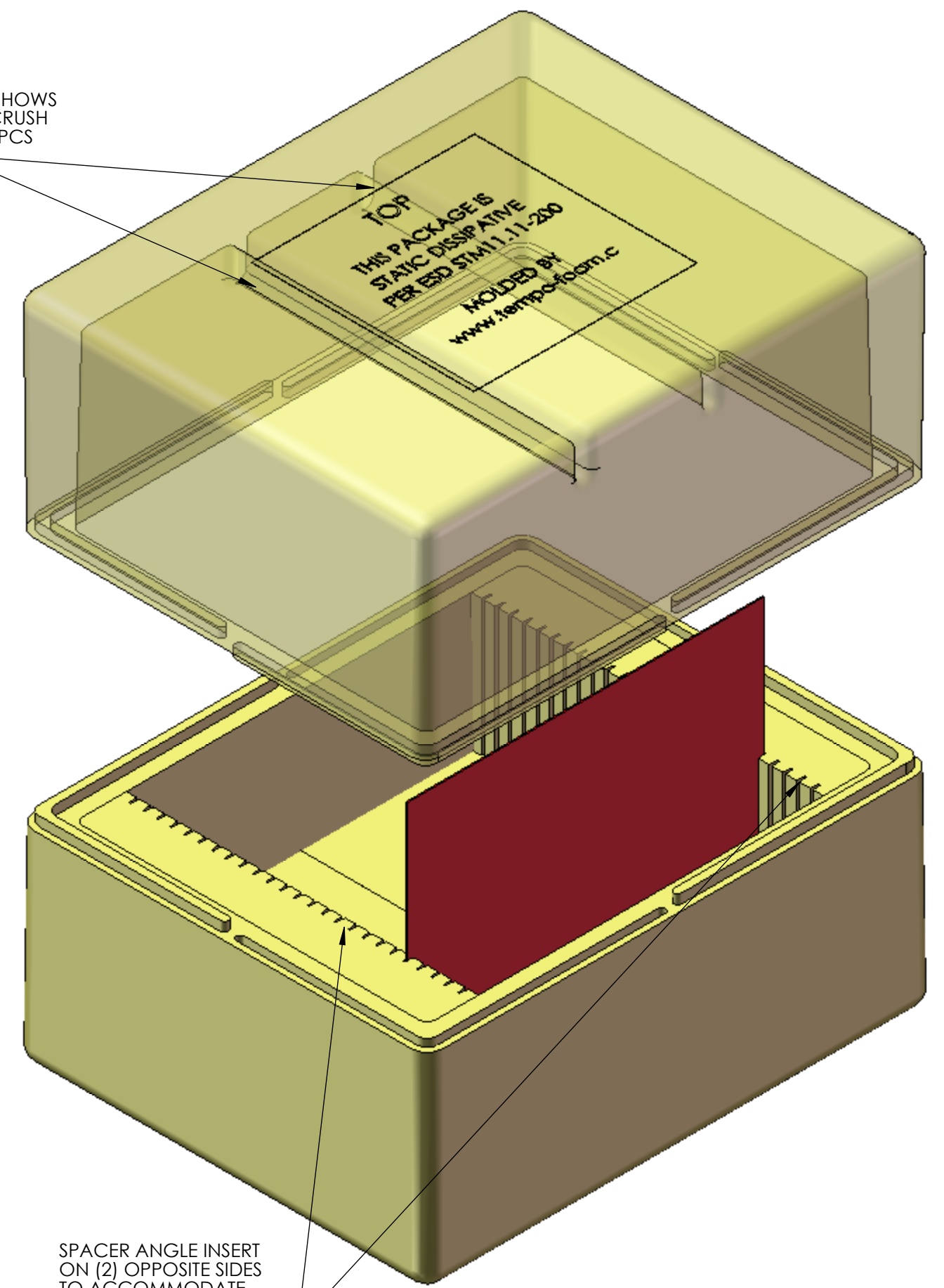
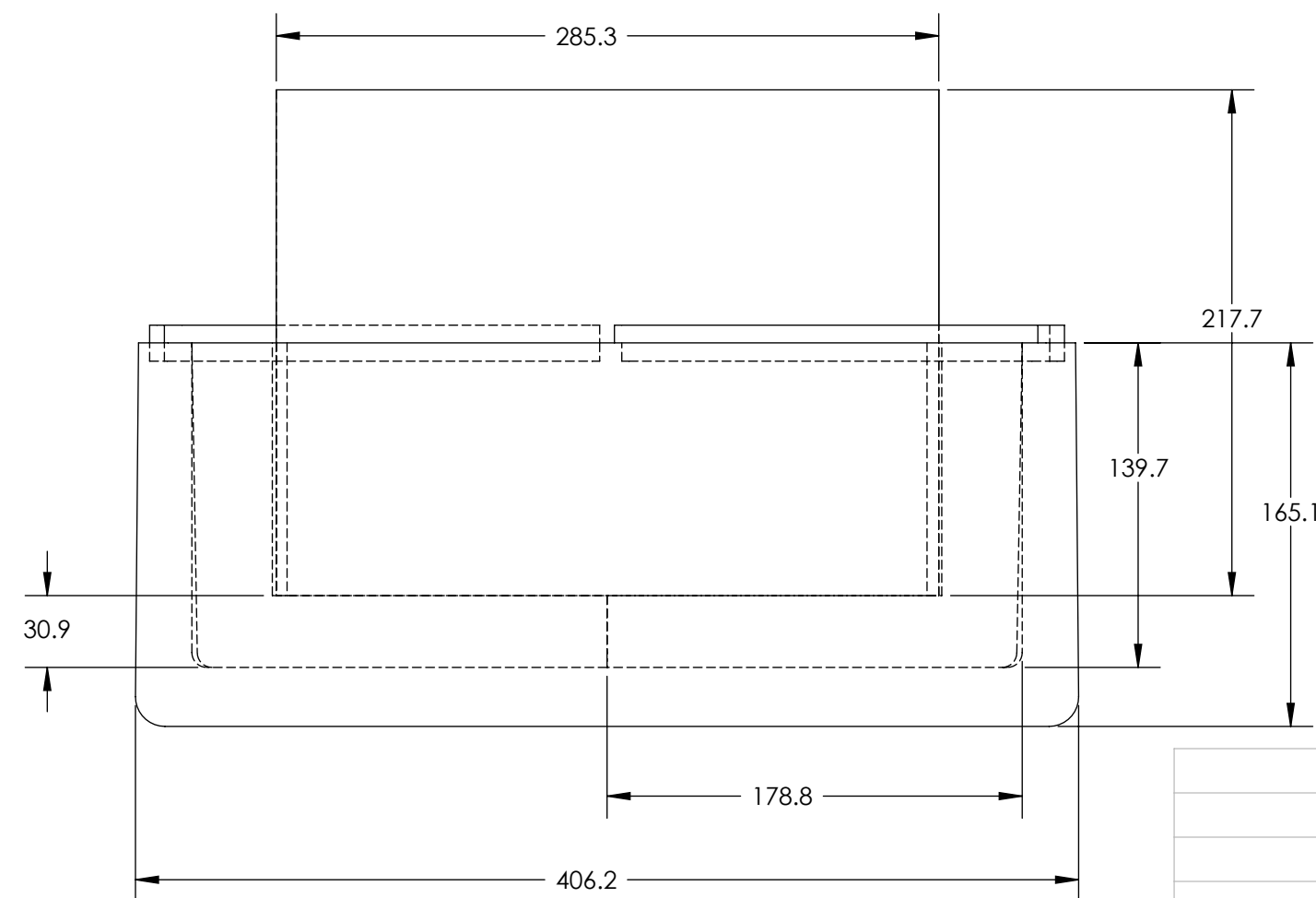
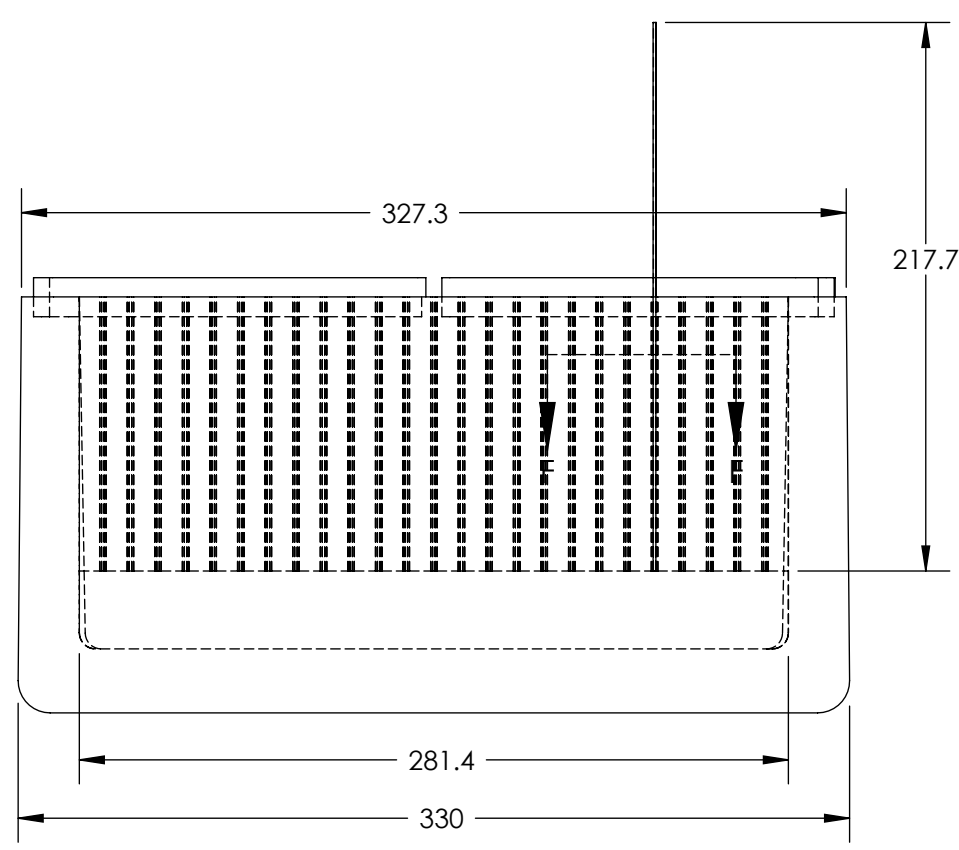
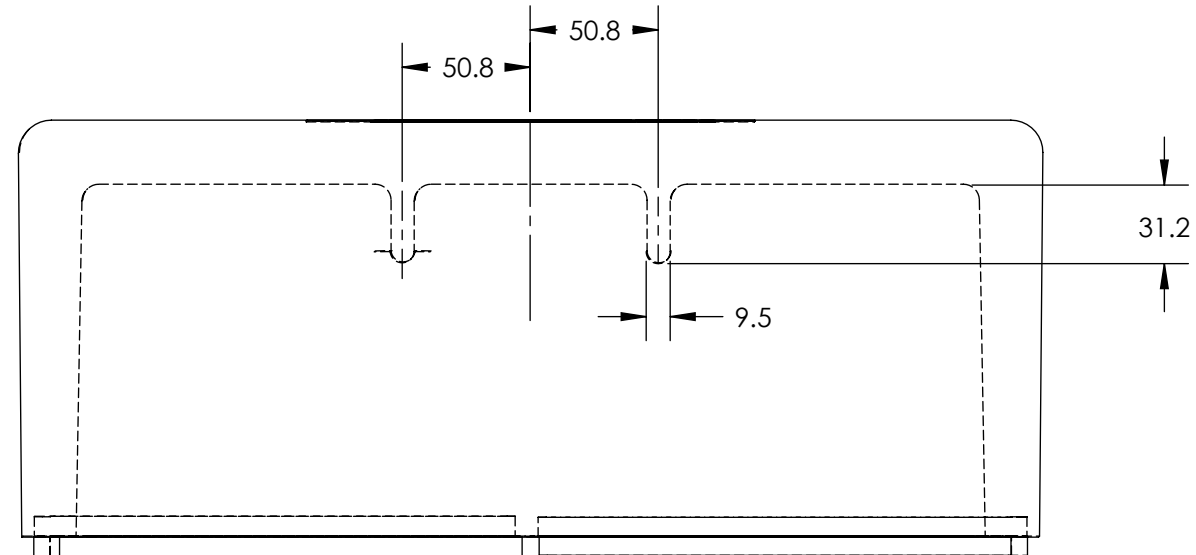
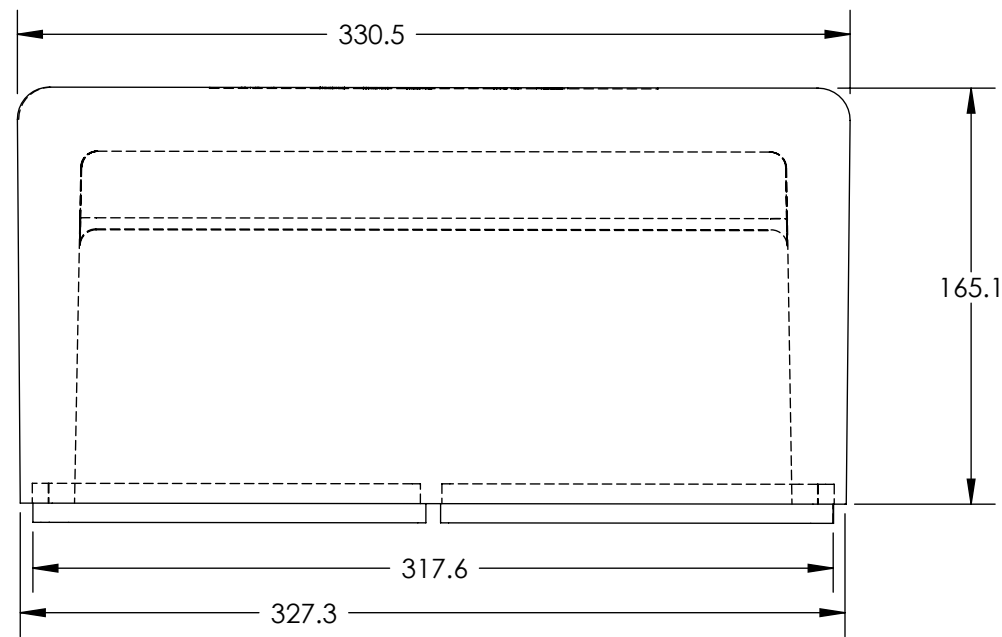


TRANSPARENT LID SHOWS  
(2) 31.2mm HIGH CRUSH  
RIBS TO STEADY 25 PCS  
OF GLASS



SPACER ANGLE INSERT  
ON (2) OPPOSITE SIDES  
TO ACCOMMODATE  
217.7x285.3x1.1 THK  
GLASS



NOTES:

- 1- MATERIAL: DRY MOLDED POLYSTYRENE, 63 gm/liter
- 2- ALL DIMENSIONS ARE IN MILLIMETERS
- 3- WEIGHT: gm
- 4- VOLUME: CU CENTIMETERS

PROPRIETARY AND CONFIDENTIAL  
THE INFORMATION CONTAINED IN THIS  
DRAWING IS THE SOLE PROPERTY OF  
TEMPO PLASTIC CO., INC. ANY  
REPRODUCTION IN PART OR AS A WHOLE  
WITHOUT THE WRITTEN PERMISSION OF  
TEMPO PLASTIC CO., INC. IS  
PROHIBITED.

UNLESS OTHERWISE SPECIFIED:		NAME	DATE	TEMPO PLASTIC CO., INC. 1227 N. MILLER PARK COURT VISALIA, CA 93291
DIMENSIONS ARE IN INCHES	DRAWN	J ELLIS	19Apr07	TITLE: <b>BASE LID INSERT PKG #TPC-315 ASSY FOR 217.7x285.3x1.1 THK GLASS</b>
TOLERANCES: FRACTIONAL ± ANGULAR: MATCH ± BEND ± TWO PLACE DECIMAL ± THREE PLACE DECIMAL ±	CHECKED	DBR	19Apr07	
INTERPRET GEOMETRIC TOLERANCING PER:	ENG APPR.			
MATERIAL	MFG APPR.	DBR	19Apr07	
FINISH	Q.A.			SIZE DWG. NO. REV
NEXT ASSY	USED ON	COMMENTS:		<b>C 041907JRE1</b>
APPLICATION	DO NOT SCALE DRAWING			SCALE: 1:5 WEIGHT: SHEET 1 OF 1