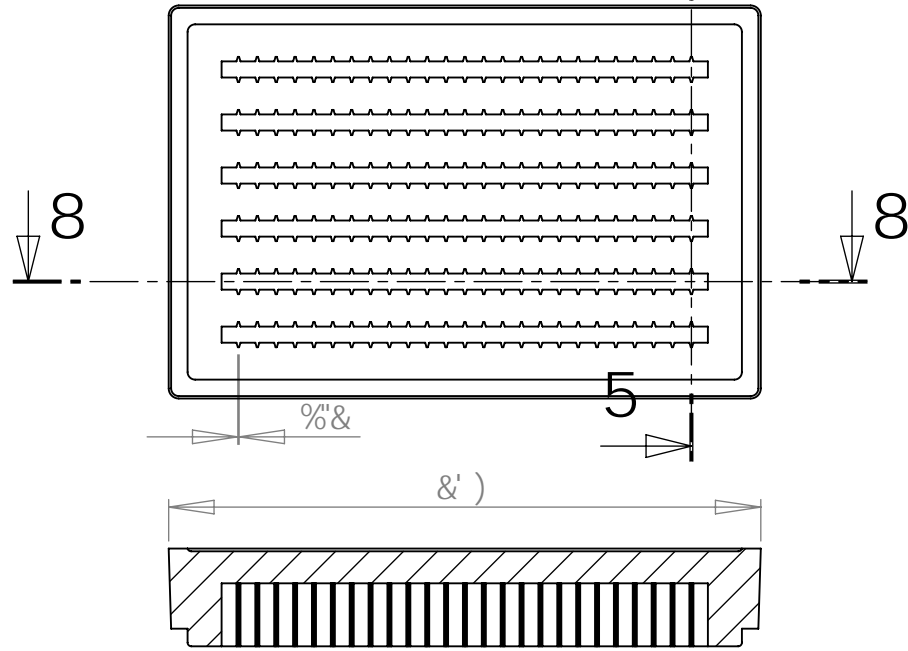
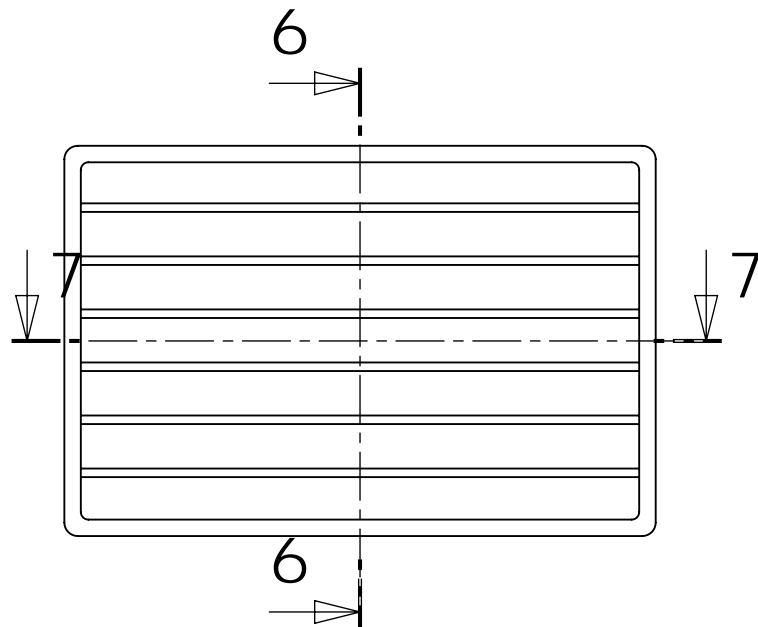


y y y 0go r q/hqco 0eqo



G97 H€ B '5!5'
G7 5 @9%."

G97 H€ B '8!8'
G7 5 @9%."

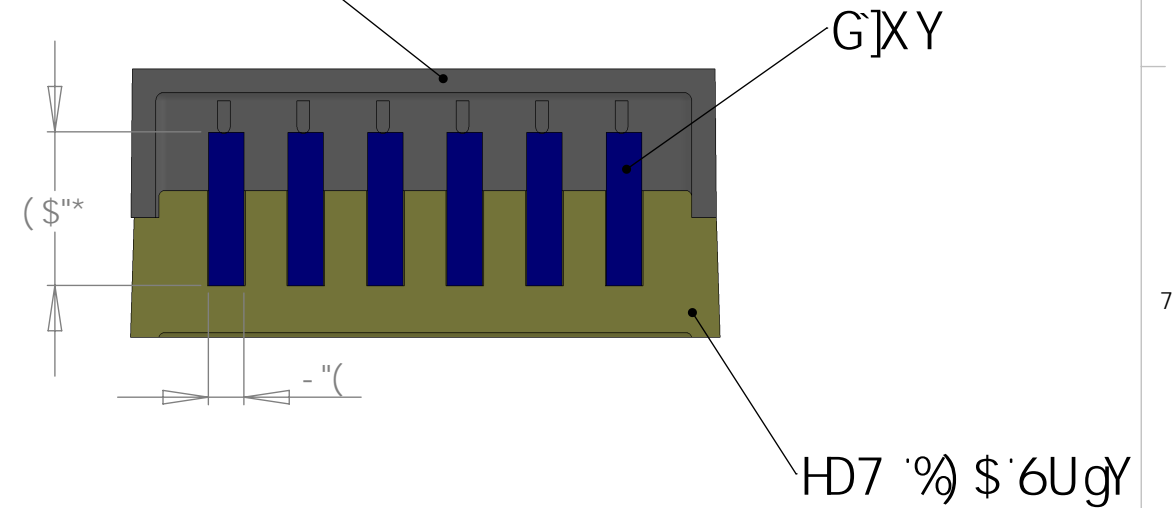


G97 H€ B '6!6'
G7 5 @9%."

G97 H€ B '7!7'
G7 5 @9%."

DFC DF-945FM5B87CB: 89BH5@
H:9 B: CFA 5HC B 7 CBH5 B98 B H-6
8F5K B: -GH:9GC @DFC.D9F HMC:
Vgo r q'Rrcule'E q0'kpe0 5BM
F9DFC 8I 7HC B B D5FHCF 5G5 K <C @
K H:C I HH:9K F H9B D9FA GGCB C:
Vgo r q'Rrcule'E q0'kpe0 G
DFC <6498"

HD7 % \$ 'F]MVYX '@X



7 fc gg'gY Wh]c b'c ZUggYa V`YX `Vcl

BchY.

%&'A UHYf]U`Hc `VY`) &[#`XYbg]hmifl "\$`V#zh t`
`GhU]W8]gg]dU]j Y`9DG
&t`%8 Y[fYY`8 fUziHMD
' t`

	I B @GGC H:9FK @9GD97 ±98.	B5A 9	85H9	Vgo r q'Rrcule'E q0'kpe0	
	8 A 9BGC BG5F9 B`B7 <9G HC @F5B7 9G : F57 HC B5 @± 5B: I @5F: A 57 <±.....69B8 ± HK C D@57 9897 A 5@±± H:F99D@57 9897 A 5@±	8F5K B	>I B €F	H#H@. HD7 % \$ 6UgY / '@X	
	BHFDF9H: 9CA 9F7 HC @F5B7 B: D9F.	7 <97 ?98	9B: '5DDF"	GAP 8K ; "'BC" F9J	
B9LH5GGM	A 5HFF-5@	A: ; '5DDF"	E "5"	6	
5DD@7 5HC B	: B G<	7 CA A 9BHG		G7 5 @9% ' % G<99H% C : %	