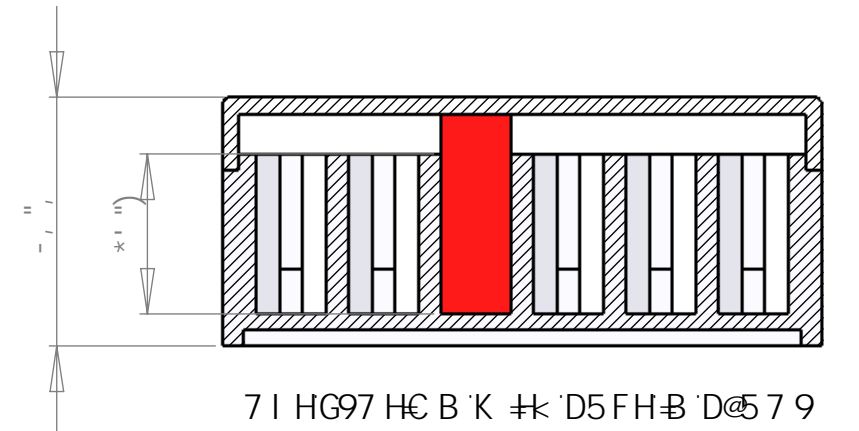
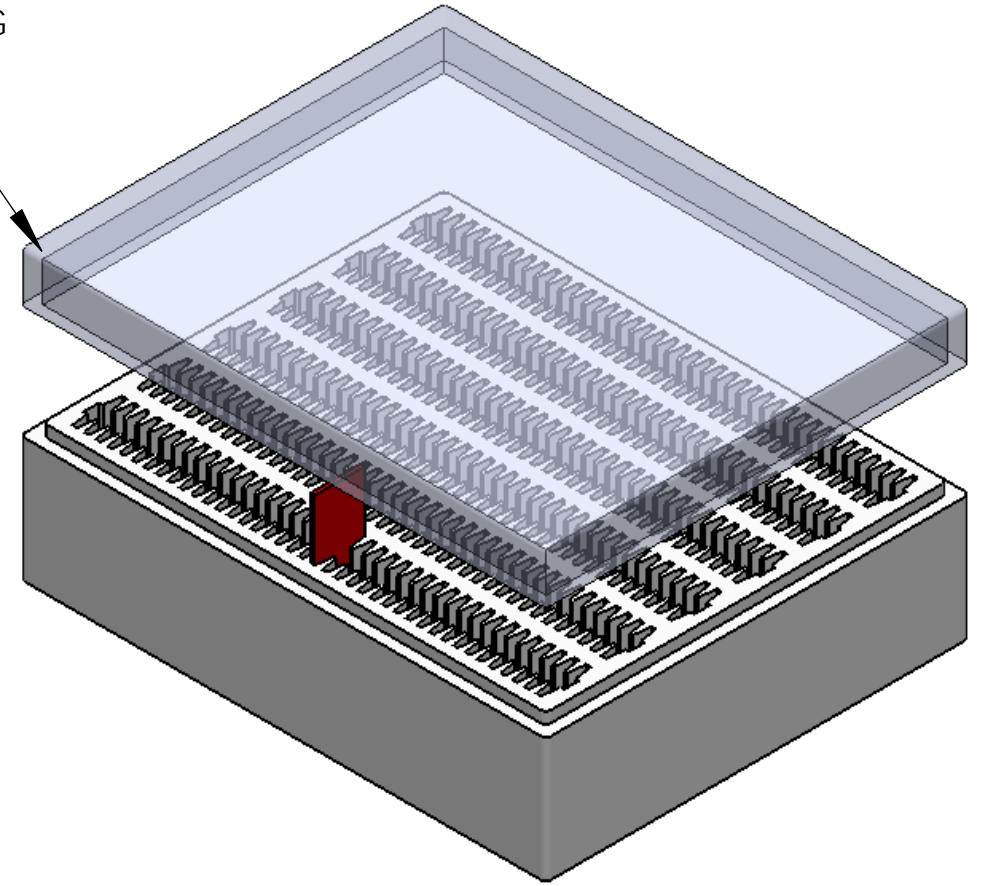
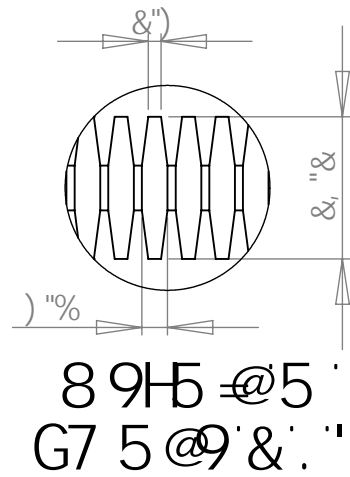
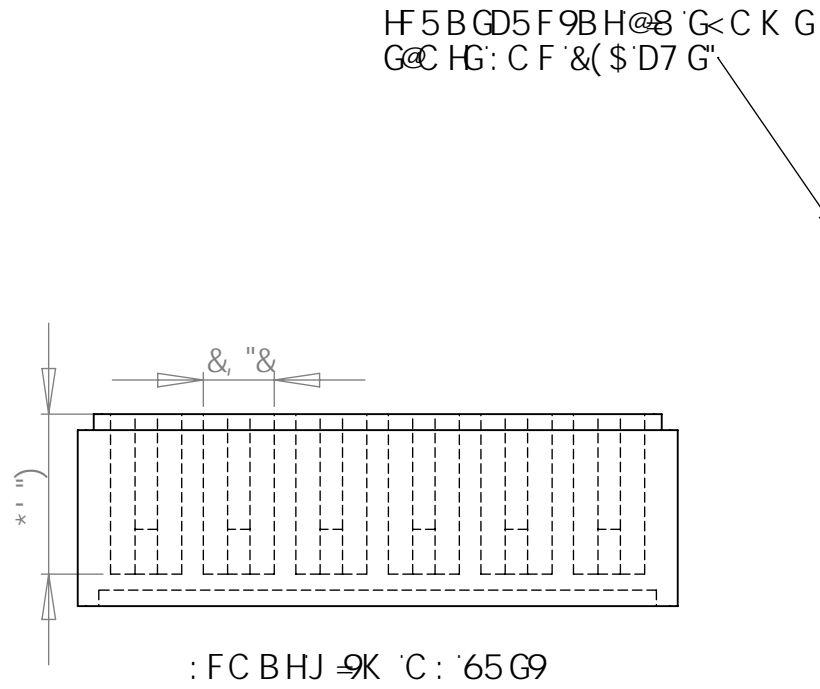
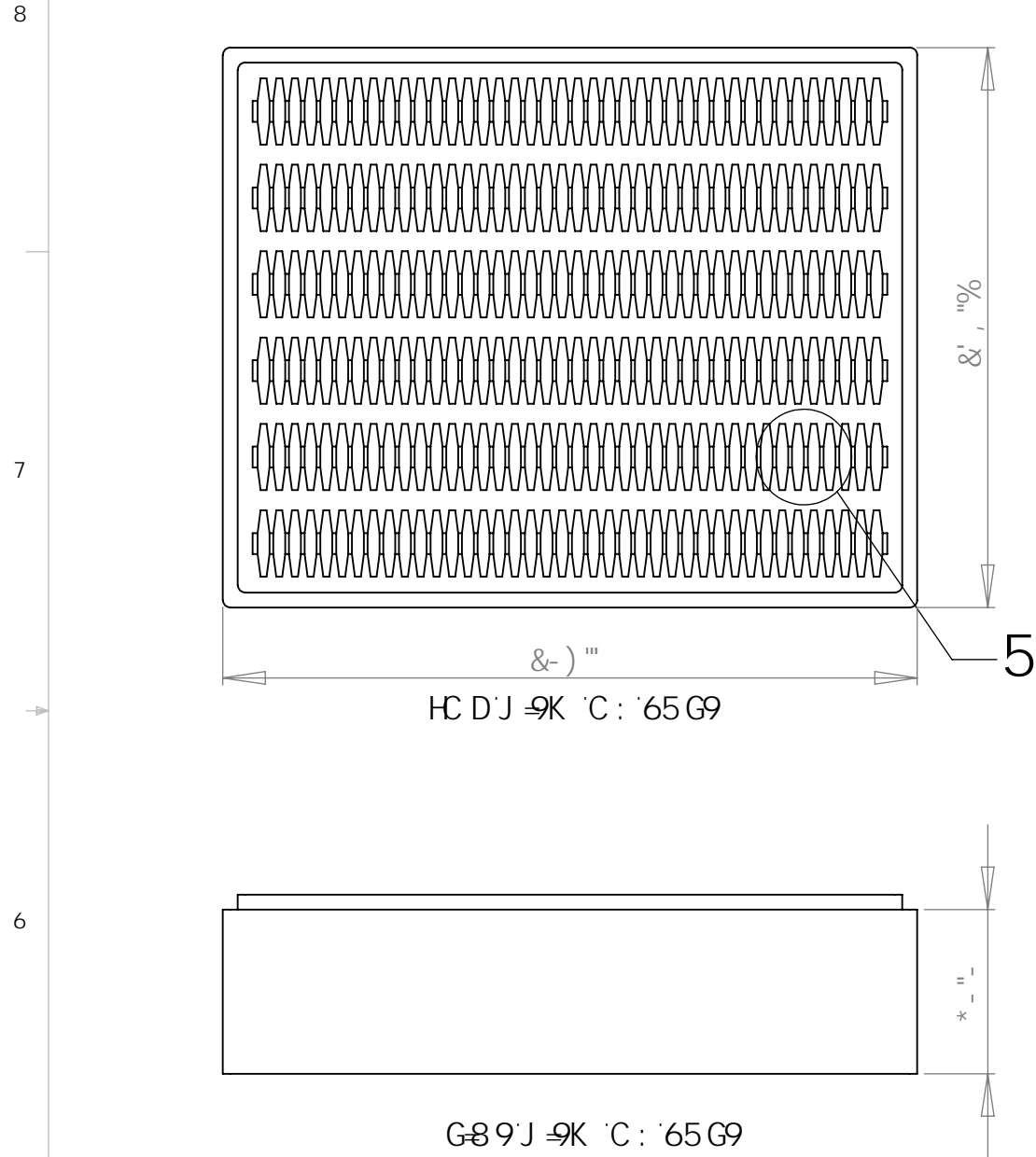


yy y 0go r q/hqco 0eqo



BchY.
 %&'A UHYf]U 'Hc 'VY '* ([# 'XYbg]hmf("\$ `V#h k'9DGž
 GhUj]W8]gg]dUhj Y
 &L'%8 Y[fYY '8 fUZhiHMD
 ' k'8]a Ybg]cbg'g\ck b 'UfY ']b'a]`]a YHYfg

DFC DF-9H5FM5B87CB: 89BH5@
 H: 9 B: C FA 5HC B 7 CBH5 B98 B H: 6
 8F5K B: :GH: 9GC @DFC D9F HMC:
 Vgo r q'Rrcule'E q0'kpe0 5BM
 F9DFC 8I 7HC B B D5FHCF 5G5 K <C @
 K #k: C I HH: 9K F H9B D9FA GGC B C:
 Vgo r q'Rrcule'E q0'kpe0 G
 DFC < 6H98"

		I B @GGC H: 9FK @9 GD97 ≠ 98.	B5A 9	85H9	Vgo r q'Rrcule'E q0'kpe0
		8 A 9BGC BG5F9 B 'B7 < 9G HC @F5B7 9G : F57 HC B5 @± 5B: I @5F: A 57 < ± 69B8 ± K C D @5 7 9897 A 5 @ ± ± H: F99 D @5 7 9897 A 5 @ ± ±	8F5K B	GYj Yb: 5 Utc: ffY	
		8HFDF9H: 9CA 9F7 HC @F5B7 B: D9F.	7 < 97 ? 98		HH@.
		A 5HFF 5@	9B: '5DDF"		&I * '65 G9'K #k '&\$&'8 '@8
		: B G<	A: : '5DDF"		
			E "5"		
			7 C A A 9BHG		
B 9LH5 GGM	I G98 C B				GA9 8K ; "'BC "
					F9J
					6
					G7 5 @9. %)
					G< 99H% C : %
5DD@7 5HC B		8C BC HG7 5 @9 8F5K B:			