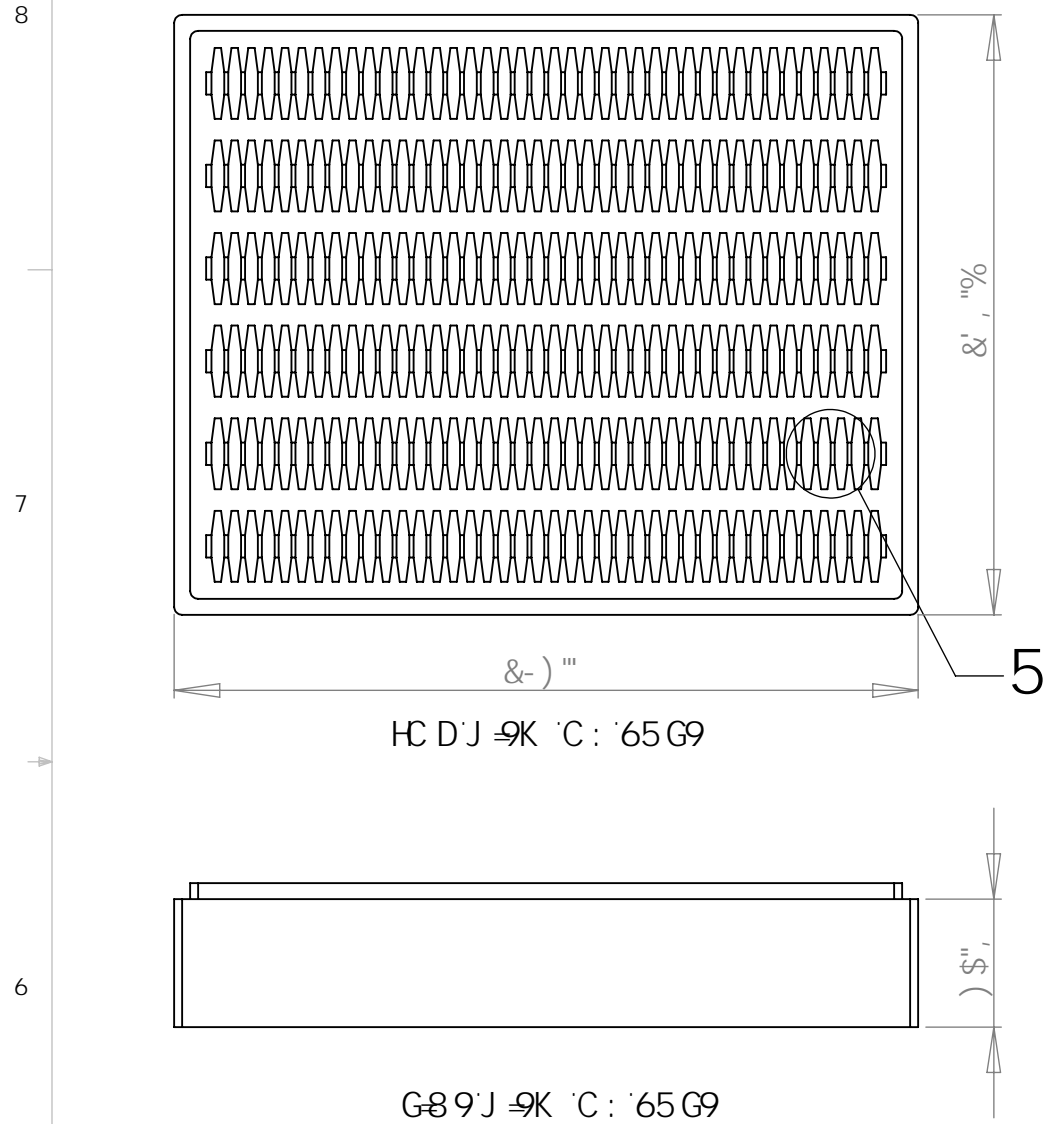
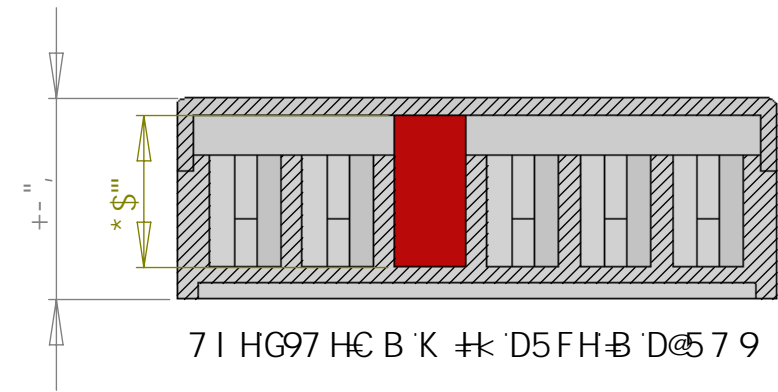
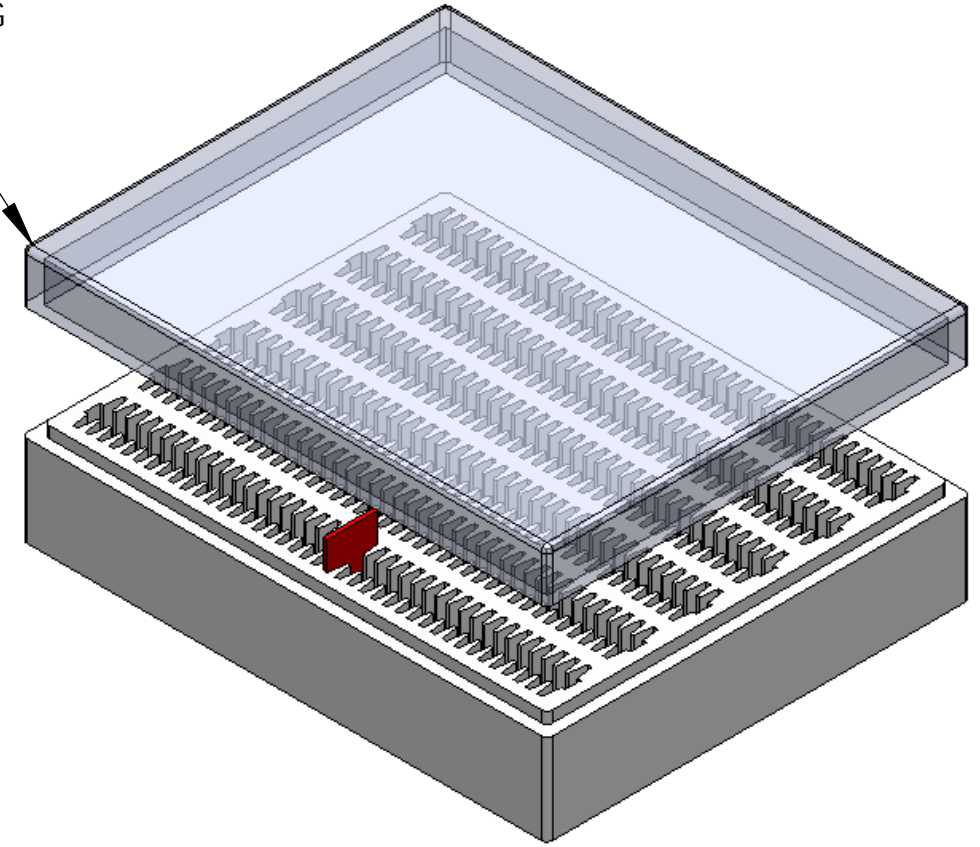
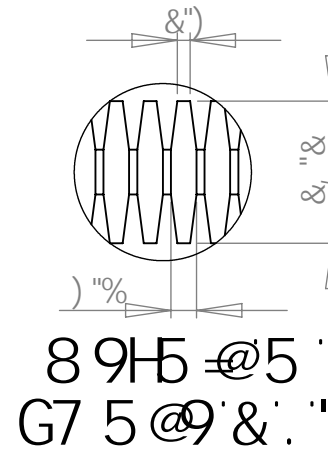
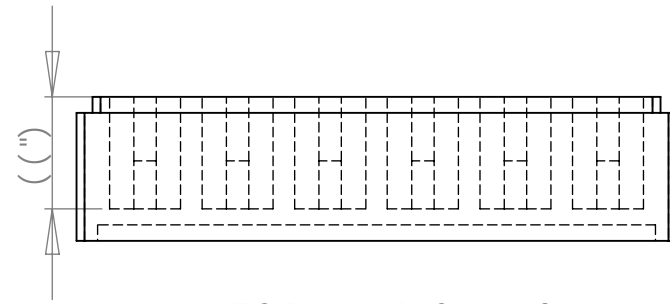


yy y 0go r q/hqco 0eqo



HF 5 BGD5 F9BH@8 'G<C K G
G@ HG: C F '&(\$'D7 G"



BchY.

%&'A UHYf]U 'Hc 'VY '* ([# 'XYbg]hmif("\$ `V#zh Ł'9DGž

GhUjW8]gg]dUhj Y

&Ł'%8 Y[fYY '8 fUZiHMD

' Ł'8]a Ybg]cbg'g\ck b'UfY ']'b'a]`]a YHYfg

DFC DF-9H5FM5B87CB: -89BH5@
H: 9 B: C FA 5HC B 7 CBH5 B98 -B H-6
8F5K B: -GH: 9GC @DFC.D9F HMC:
Vgo r q'Rrcule'E q0'kpe0 5BM
F9DFC 8I 7 HC B -B D5FHCF 5G5 K <C @
K #k: C I HH: 9K F-H9B D9FA -GGC B C:
Vgo r q'Rrcule'E q0'kpe0 G
DFC <-6+98"

		I B @GGC H: 9FK -69 QD97 -98.	B5A 9	85H9	Vgo r q'Rrcule'E q0'kpe0
		8A 9BGC BG5F9 B 'B7 <9G HC @F5B7 9G : F57 HC B5 @± 5B: I @5F: A 57 <±69B 8 ± K C D@5 7 9897 -A 5@±± H: F99D@5 7 9897 -A 5@±	8F5K B	GHyj Yb 5'Ufc: ffY	
		BHFDF9H: 9CA 9HF-7 HC @F5B7 B: D9F.	7 <97 ?98		HF@.
		A 5HF-5@	9B: '5DDF"		&L('K #k '&\$&'8 '@8
B9LH5GGM	I G98 C B		A: : '5DDF"		
			E "5"		
			7 C A A 9BHG		
					GA9 8K ; "'BC "
					F9J
					6
					G7 5 @9. %%
					G<99H% C : %