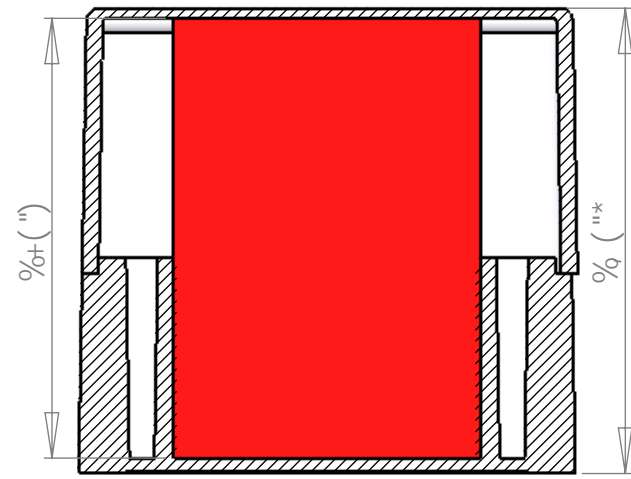
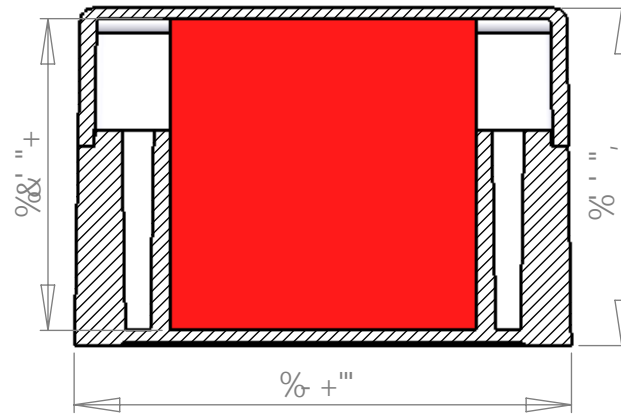


yy y 0go r q/hqco 0qo

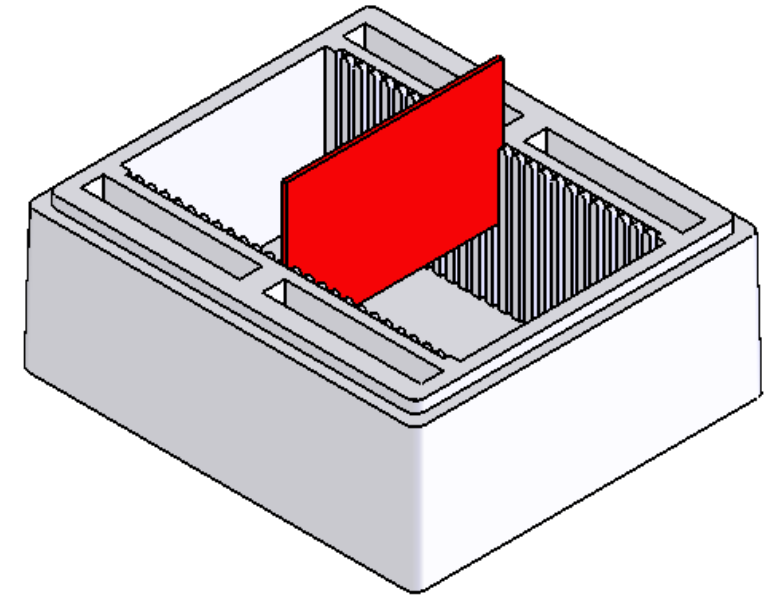
HD7 (*) +)!\$- '@8



HD7 (*) +)!\$) '@8

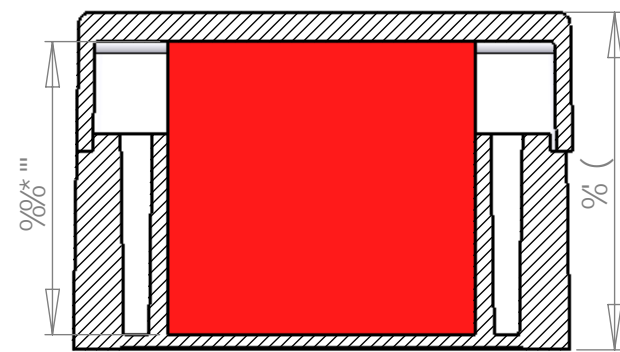


&) G! (+) \$'65 G9'G<C K G'G@C HG: C F '&) 'D7 G'

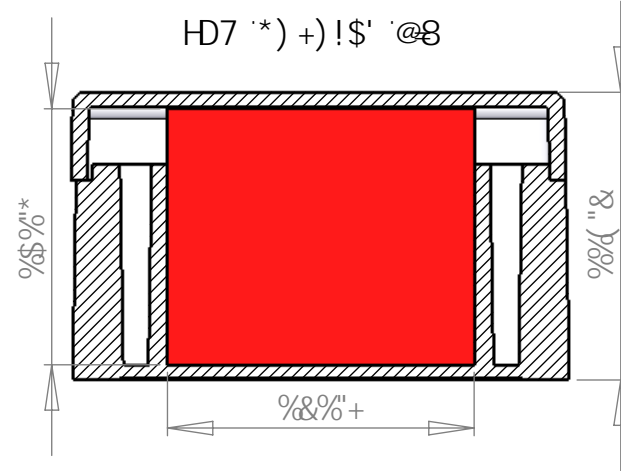


J 9K GG<C K '7I HG97 HC B' K #k 'D5FH-B 'D@57 9

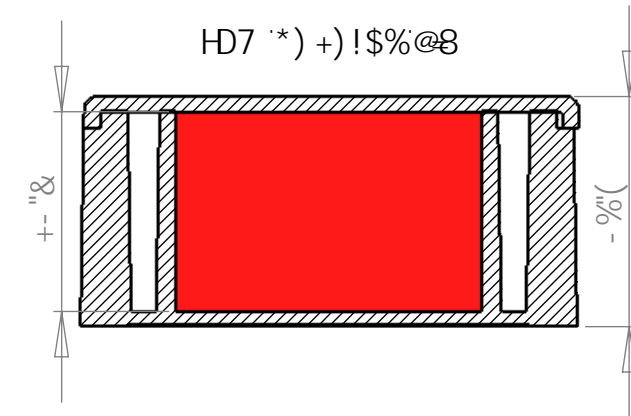
HD7 (*) +)!\$+ '@8



HD7 (*) +)!\$' '@8



HD7 (*) +)!\$% '@8



BchY.

%&'A UHYf]U`Hc`VY`* ([#`XYbg]hmf("\$`V#h L'9DGž
 GhUjW8]gg]dUhj`Y
 &L`%8Y[fYY`8fUZhHMD
 ' L'8]a Ybg]cbg`g\ck b`UfY`]b`a]`]a YHYfg

DFCDF-945FM5B87CB:-89BH5@
 H:9-B:CFA5HC B 7 CBH5-B98-B H-6
 8F5K B: -GH:9GC @DFC.D9F HMC:
 Vgo r q'Rrcule'E q0'Kpe0 5BM
 F9DFC8I 7HC B -B D5FHCF 5G5 K <C @
 K #k:C I HH:9K F-H9B D9FA -GGC B C:
 Vgo r q'Rrcule'E q0'Kpe0 G
 DFC <-6+98"

		I B @GGC H:9FK -9 GD97 -98.	B5A 9	85H9	Vgo r q'Rrcule'E q0'Kpe0
		8 A 9BGC BG5F9-B 'B7 <9G HC @F5B7 9G : F57 HC B5 @± 5B: I @5F: A 57 <±69B8 ± HK C D@57 9897 -A 5@±± H:F99D@57 9897 -A 5@±	8F5K B	GYj Yb 5 Utc ffY	
		#HFD9H: 9CA 9F-7 HC @F5B7 B: D9F.	7 <97 ?98		&) G! (+) \$'6Ugy`K]h HD7 (*) +) '@X: Ua]m
		A 5Hf-5@	9B: '5DDF"		
		: B G<	A: : '5DDF"		
			E "5"		
			7 C A A 9BHG		
B9LH5GGM	I 098 C B				GA9 8K ; ""BC "
					F9J
					6
					G7 5 @. '%'
					G<99H% C : %