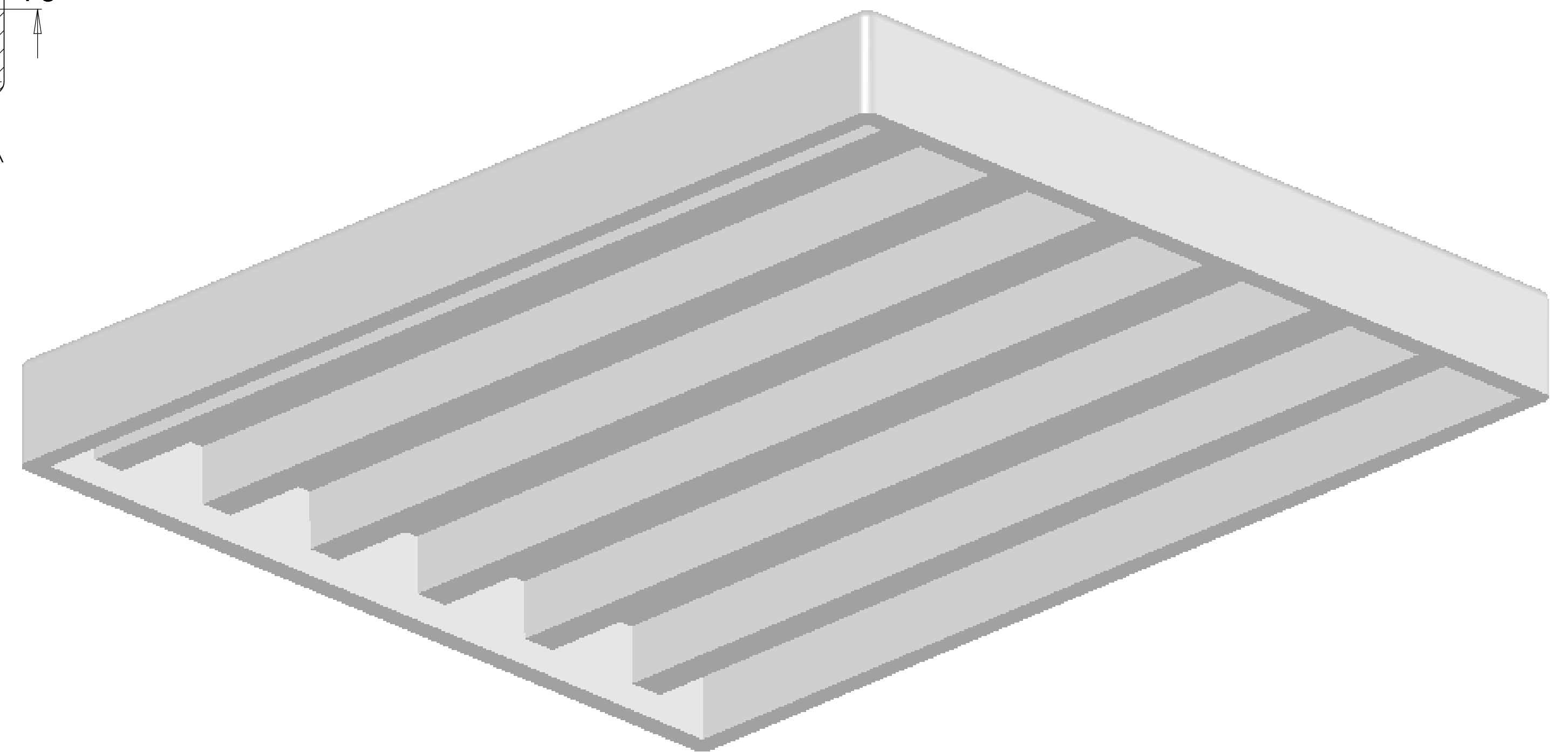
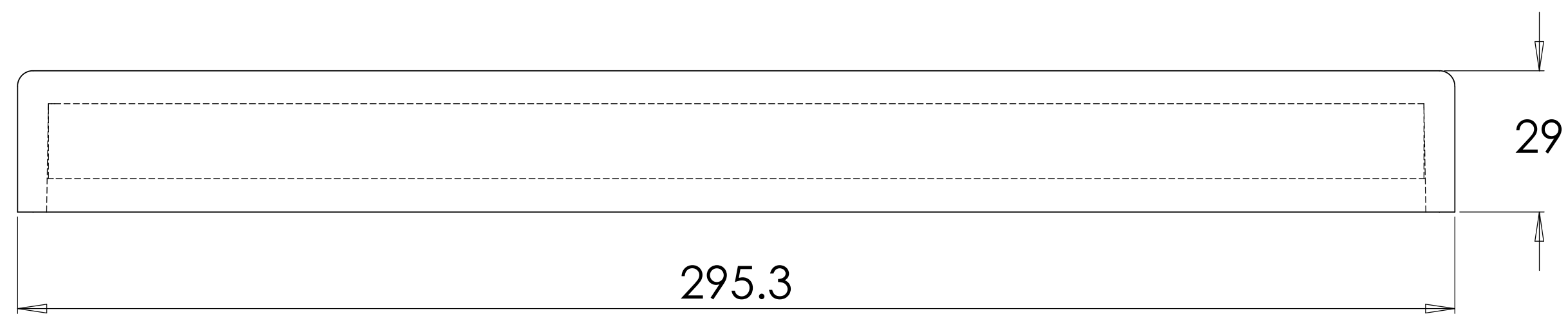


Note:

- 1) Material To be 64g/l density (4.0 lb/ft3) EPS
- 2) 1 Degree Draft TYP
- 3) Volume = 53.001 cubic inches



**PROPRIETARY AND CONFIDENTIAL**  
 THE INFORMATION CONTAINED IN THIS DRAWING IS THE SOLE PROPERTY OF Tempco Plastics Co., Inc. ANY REPRODUCTION IN PART OR AS A WHOLE WITHOUT THE WRITTEN PERMISSION OF Tempco Plastics Co., Inc. IS PROHIBITED.

UNLESS OTHERWISE SPECIFIED:		NAME	DATE
DRAWN	JUNIOR	8/18/05	
CHECKED			
ENG APPR.			
MFG APPR.			
INTERPRET GEOMETRIC TOLERANCING PER:		Q.A.	
MATERIAL:		COMMENTS:	
NEXT ASSY	USED ON	FINISH	
APPLICATION			

TITLE:		
202S Lid		
SIZE	DWG. NO.	REV
D	1	
SCALE: 1:1		SHEET 1 OF 1