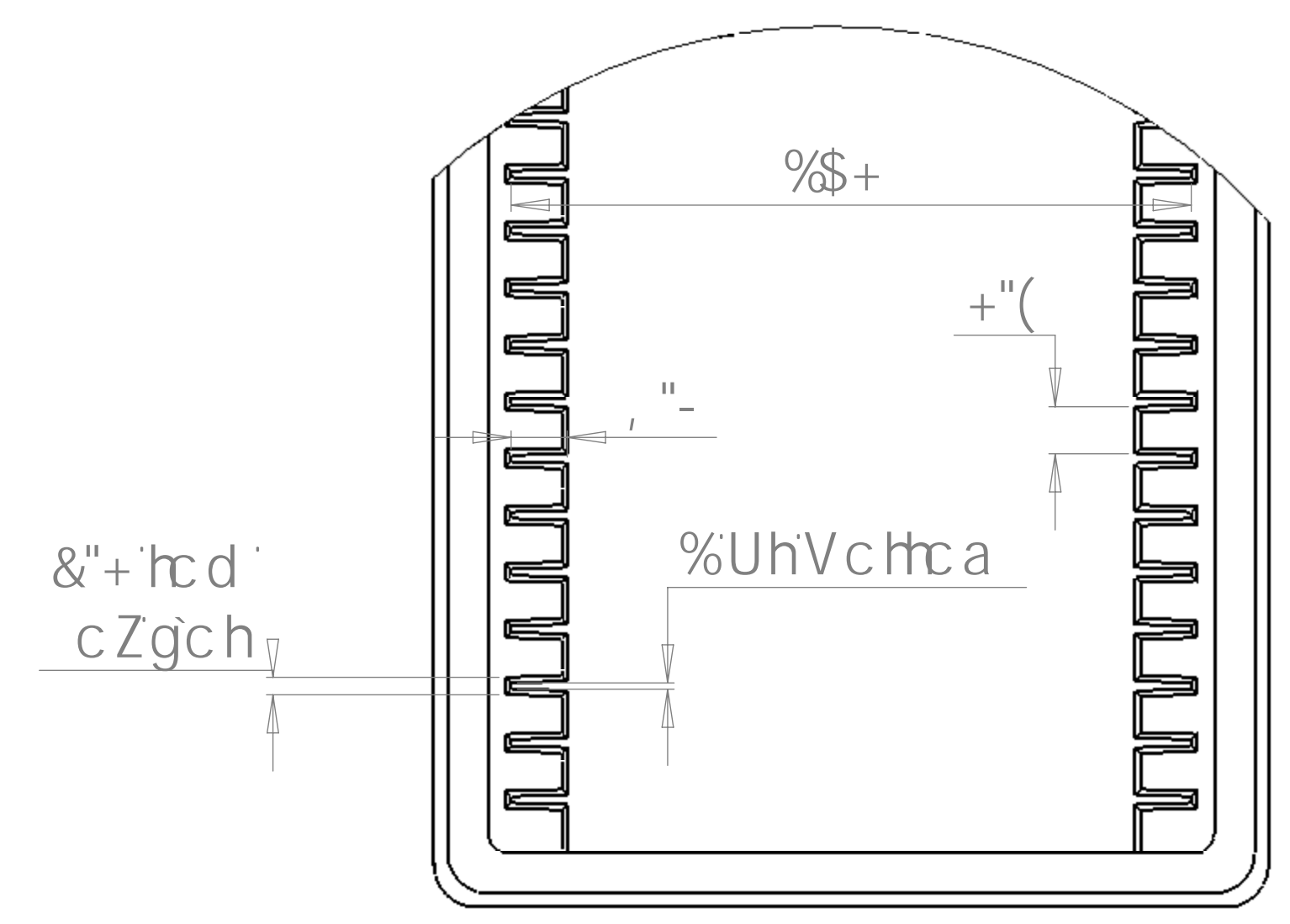
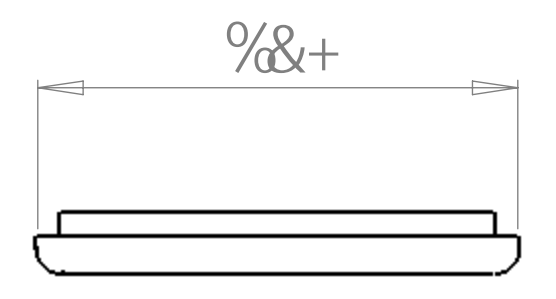
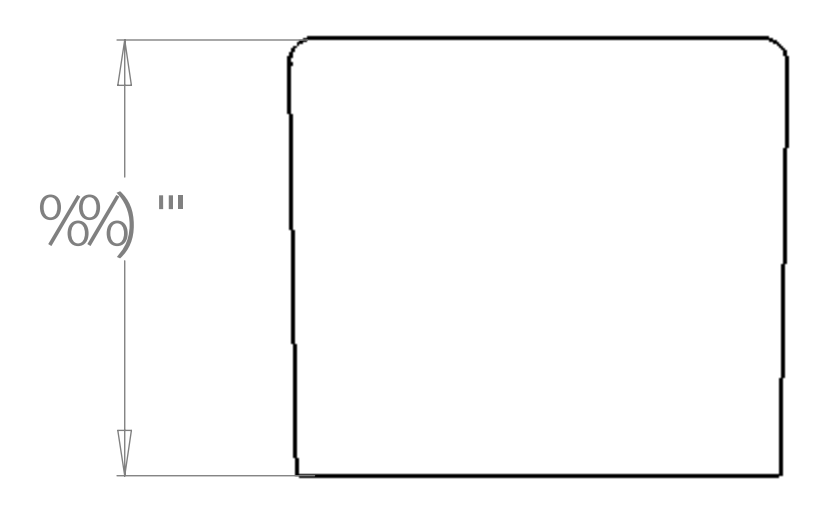
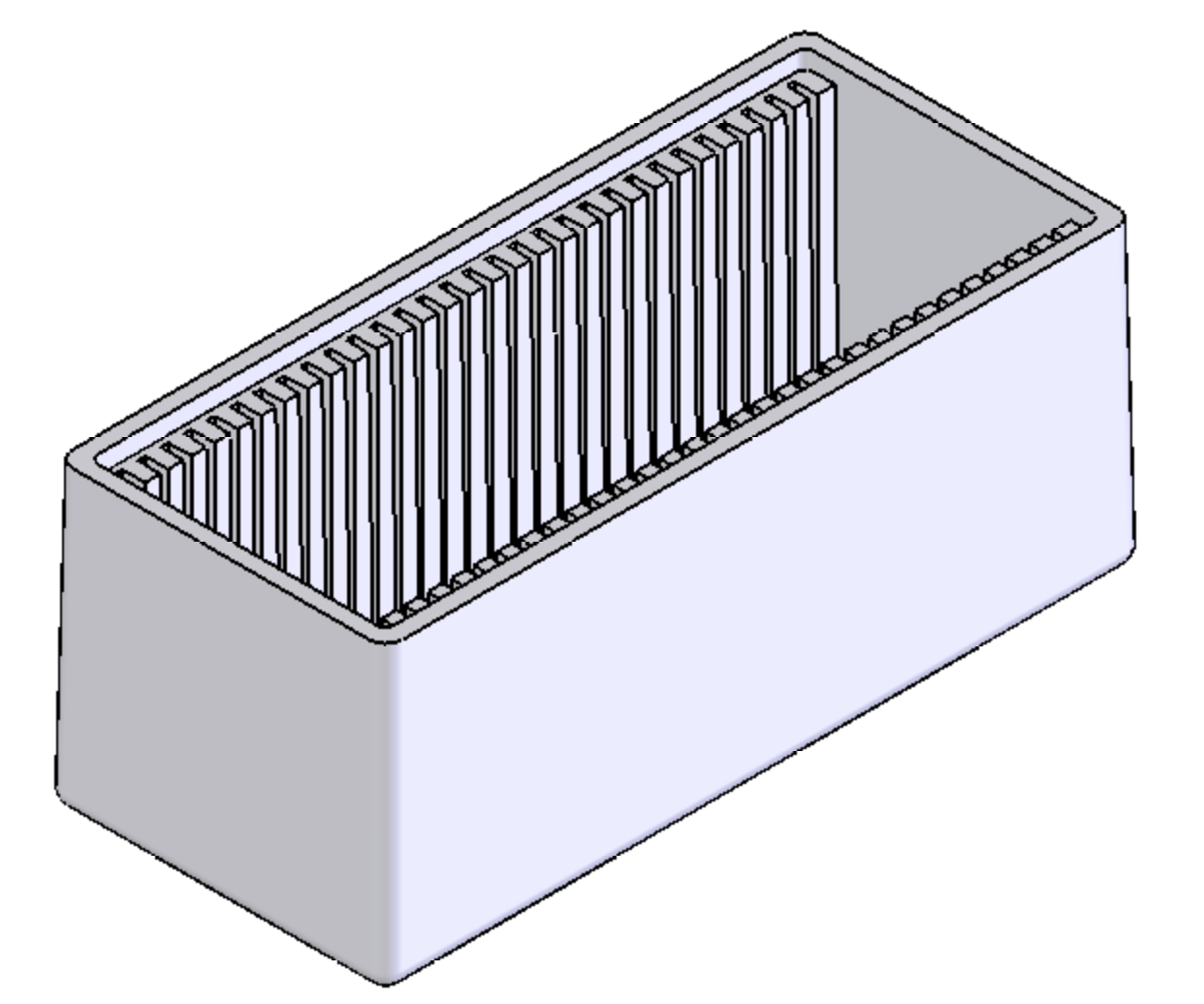
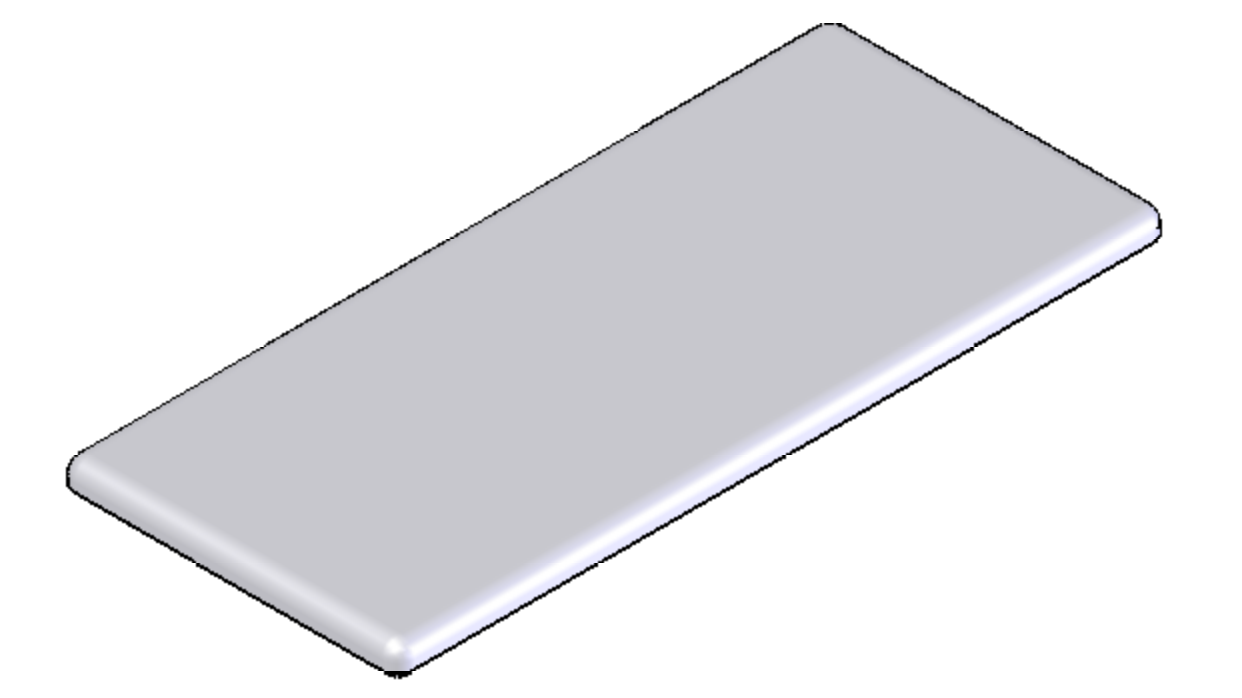


G97 HC B 515



BchY.

%&'A Uhy f]U`Hc`VY`* ([#`XYbg]lmf("\$`V#Zl E`9DGz
G\fb_U[Y`]g"%&a a`dYf&)"(a a
 &E`C dh]c bU`a Uhy f]U`* ([#`XYbg]lm9D9z
G\fb_U[Y`]g"+) a a`dYf&)"(a a ž]bWi XYX`]b`XYg] [b
 ' E`%8Y[fYY`Yl hY]c fZ`%#&`8Y[fYY` bhY]c f8fUZhMD

DFC DF 95FM5B8 7CB: 89BH5@

H:9 B: CFA 5HC B 7C B H5 B 98 B H 6
 8F5K B: 6H 9CC @DFC D9FMC:
 H'a dc D'UgW7 c" bW 5BM
 F9DFC 8I 7HC B B D5FHC F 5G5 K <C @
 K HkCI Hk9K F H9B D9FA GGC B C:
 H'a dc D'UgW7 c" bW 6
 DFC < 6+98"

I BAKCC H 9FK @DZ97 + 98		B5A 9	851P	Vgo r q'Rrcuve'Eq.'Kpe0
B A 80C BCSF9 B A]b YWg	8FSK B	si bcf +#, #S,		HH9.
IC 8F5B 7% F57HC B5H SB: 1 85F A 51 + 2 698B + K C D87 9897 A 5# 1 H F99D8 7 9897 A 5# 2	7 49798	9B: 500F"		' \$G(\$* &k
BHEF9H 9CA 9F7 IC 8F5B 7: 106	E 5"			
A 51F 6#				
B9LH5GM	1 098 CB	B 6:	%&+ B "A]YfDUf_ 7 H J]g]Uz75`-`&- %	GAP BK: "BC"
SDDW 5HC B				F 9J 5
				G7 5 @9. % & G-99HHC: %

89H5 @6
 G7 5 @9. %