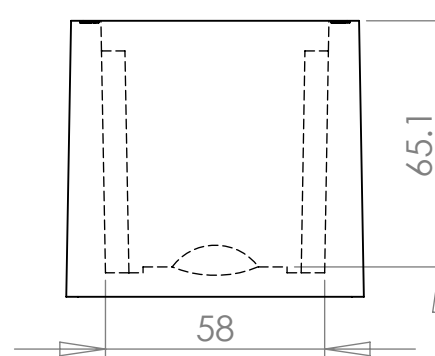
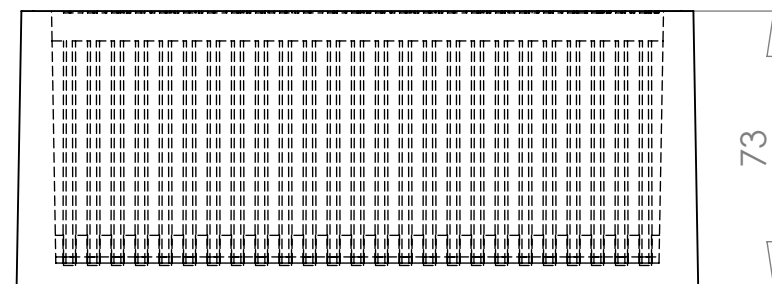
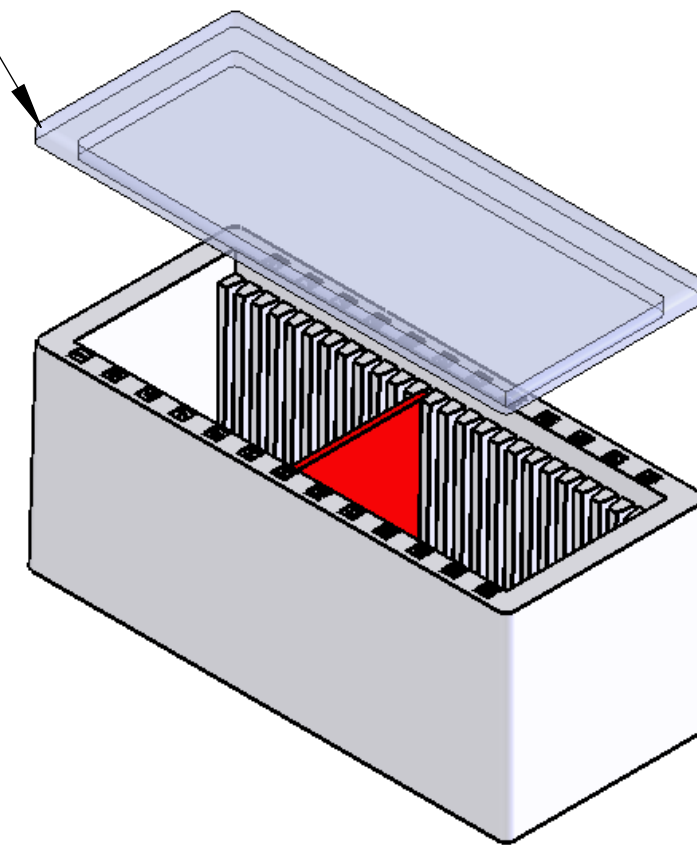


TOP VIEW OF BASE

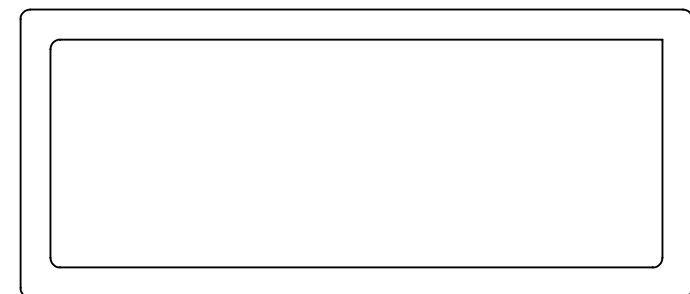


FRONT VIEW OF BASE

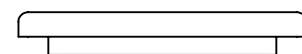
TRANSPARENT LID SHOWS SLOTS FOR 25 PCS.



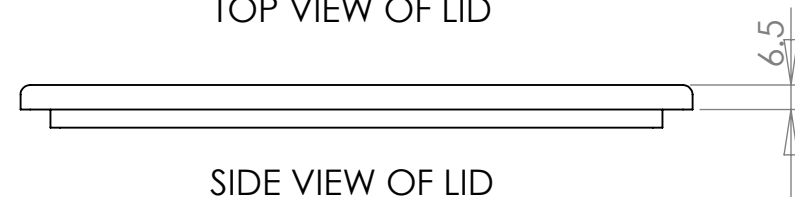
SIDE VIEW OF BASE



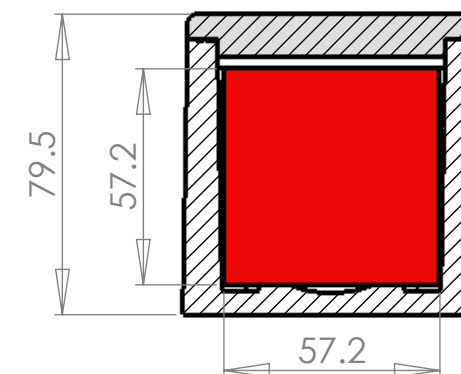
TOP VIEW OF LID



FRONT VIEW OF LID



SIDE VIEW OF LID



- Note:**
- 1) Material To be 64g/l density (4.0 lb/ft<sup>3</sup>) EPS, Static Dissipative
  - 2) 1 Degree Draft TYP
  - 3) Dimensions shown are in millimeters

**PROPRIETARY AND CONFIDENTIAL**  
 THE INFORMATION CONTAINED IN THIS DRAWING IS THE SOLE PROPERTY OF Tempo Plastic Co., Inc. ANY REPRODUCTION IN PART OR AS A WHOLE WITHOUT THE WRITTEN PERMISSION OF Tempo Plastic Co., Inc. IS PROHIBITED.

		UNLESS OTHERWISE SPECIFIED:		NAME	DATE	<b>Tempo Plastic Co., Inc.</b>	
		DIMENSIONS ARE IN INCHES TOLERANCES: FRACTIONAL ± ANGULAR: MACH ± BEND ± TWO PLACE DECIMAL ± THREE PLACE DECIMAL ±		DRAWN	Steven Alatorre		
		INTERPRET GEOMETRIC TOLERANCING PER:		CHECKED		TITLE:  25S-2313	
		MATERIAL		ENG APPR.			
		FINISH		MFG APPR.		SIZE DWG. NO. REV	
NEXT ASSY	USED ON	DO NOT SCALE DRAWING		Q.A.		SCALE: 1:2 SHEET 1 OF 1	
APPLICATION				COMMENTS:			