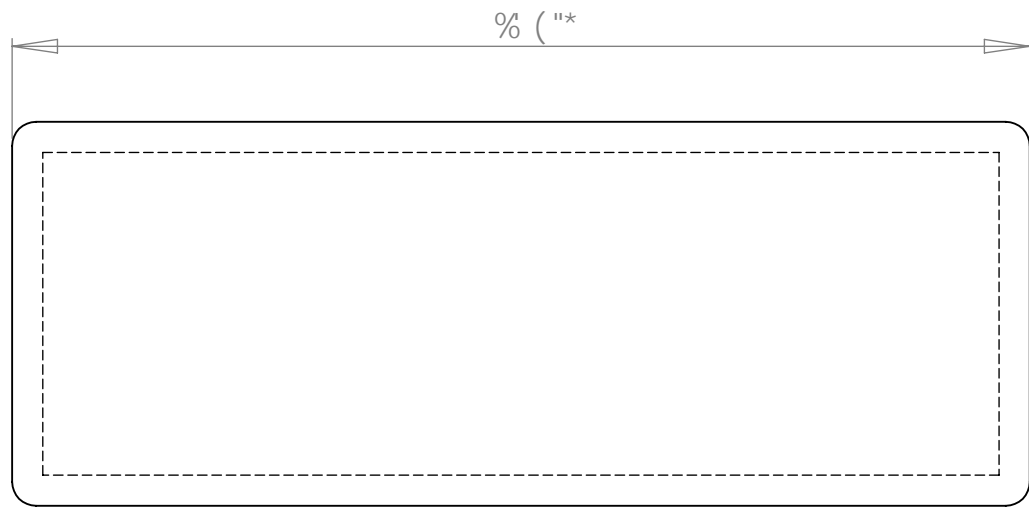


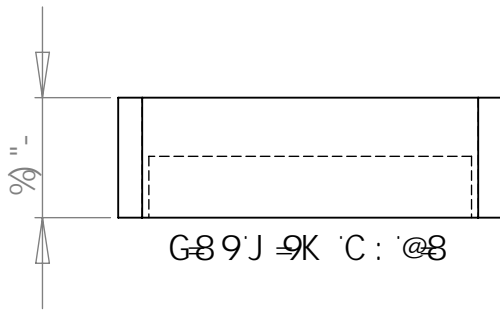
yy y 0go r q/hqco 0eqo

8

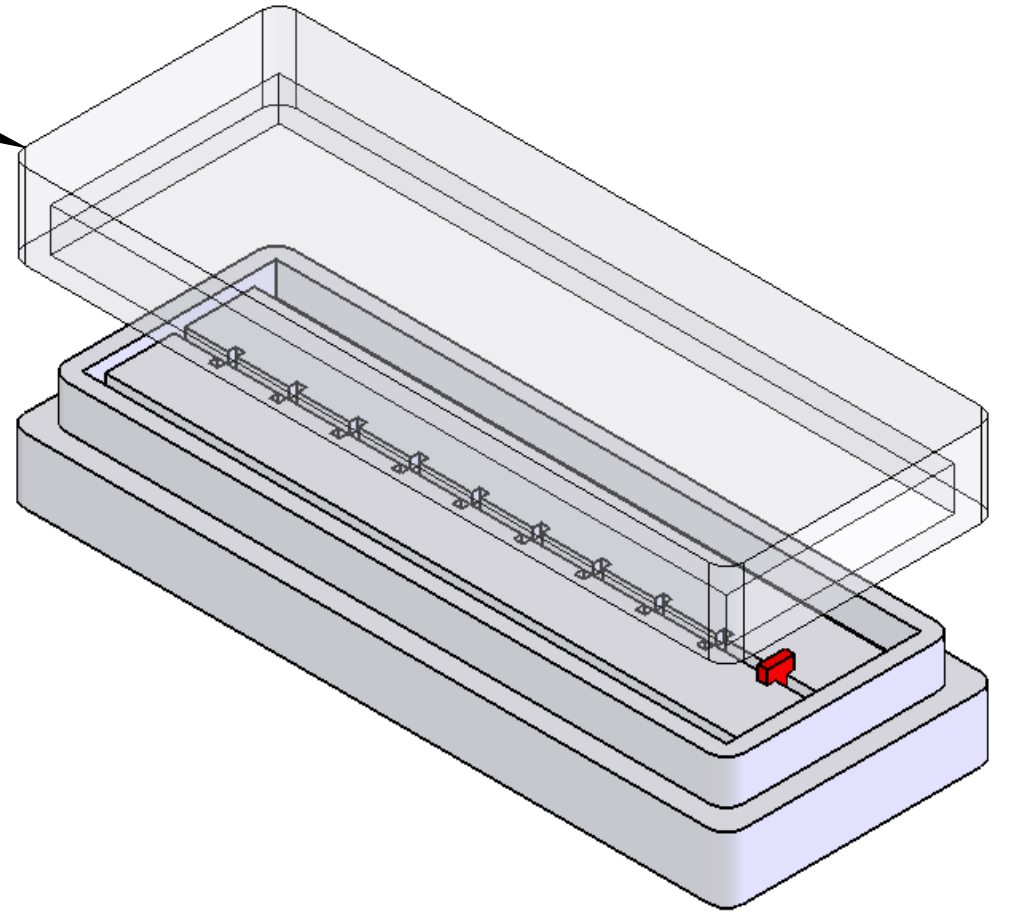


HC D'J 9K 'C : @8

HF5BGD5F9BH@8`G<C K G  
G@C HG: C F '%\$'D7 G'

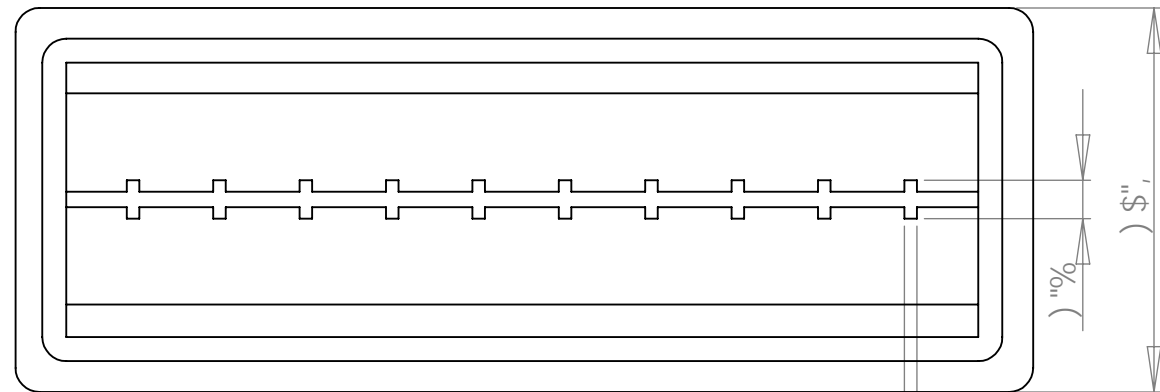


G89J 9K 'C : @8

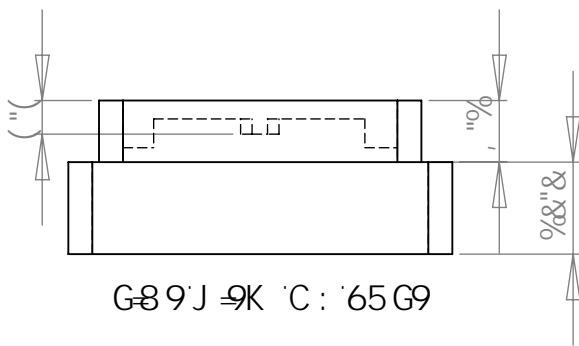


7

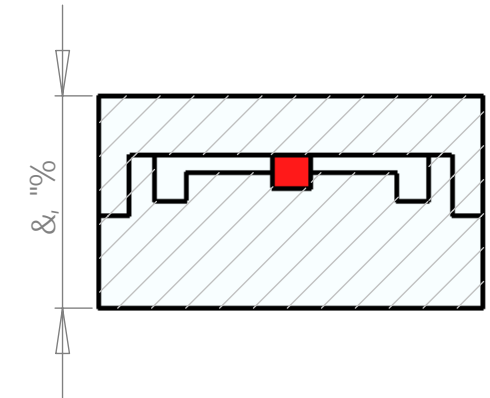
6



HC D'J 9K 'C : '65 G9



G89J 9K 'C : '65 G9



7 I HG97 HC B 'K #k 'D5FH-B 'D@57 9

5

BchY.  
%&'A UHf]U`Hc`VY`\* ([ #`XYbg]hmf("\$`V#h L'9DGž  
GhUjW8 ]gg]dUhj`Y  
&L'%8 Y[ fYY`8 fUZiHMD  
' L'8 ]a Ybg]cbg`g\ck b`UfY`]'b`a ]`]'a YHfYfg

DFC DF-945FM5B87CB: 89BH5@  
H:9 B: C FA 5HC B 7 CBH5 B98 B H-G  
8F5K B: -GH:9GC @DFC.D9F HMC:  
Vgo r q'Rrcule'E q0'kpe0 5BM  
F9DFC 8I 7HC B -B D5FHC F 5G5 K <C @  
K #k:C I HH:9K F HH9B D9FA GGCB C:  
Vgo r q'Rrcule'E q0'kpe0 G  
DFC <-6498"

		I B @GGC H:9FK @9 GD97 ≠98.	B5A 9	85H9	<b>Vgo r q'Rrcule'E q0'kpe0</b>
		8A 9BGC BG5F9 B 'B7 <9G HC @F5B7 9G : F57 HC B5 @± 5B: I @5F: A 57 <± .....69B 8 ± K C D@57 9897 -A 5@'± H:F99D@57 9897 -A 5@ ±	8F5K B	BY Yb 5'UrcffY	
		BHFDF9H: 9CA 9HF 7 HC @F5B7 B: D9F.	7 <97 ?98		% \$G % +
		A 5HF 5@	9B: '5DDF"		
B9LH5GGM	I G98 C B	: B G<	A: ; '5DDF"		
			E "5"		
			7 C A A 9BHG		
					GA9 8K ; "'BC "
					F9J
					G7 5 @. '% %
					G<99H% C : %

5