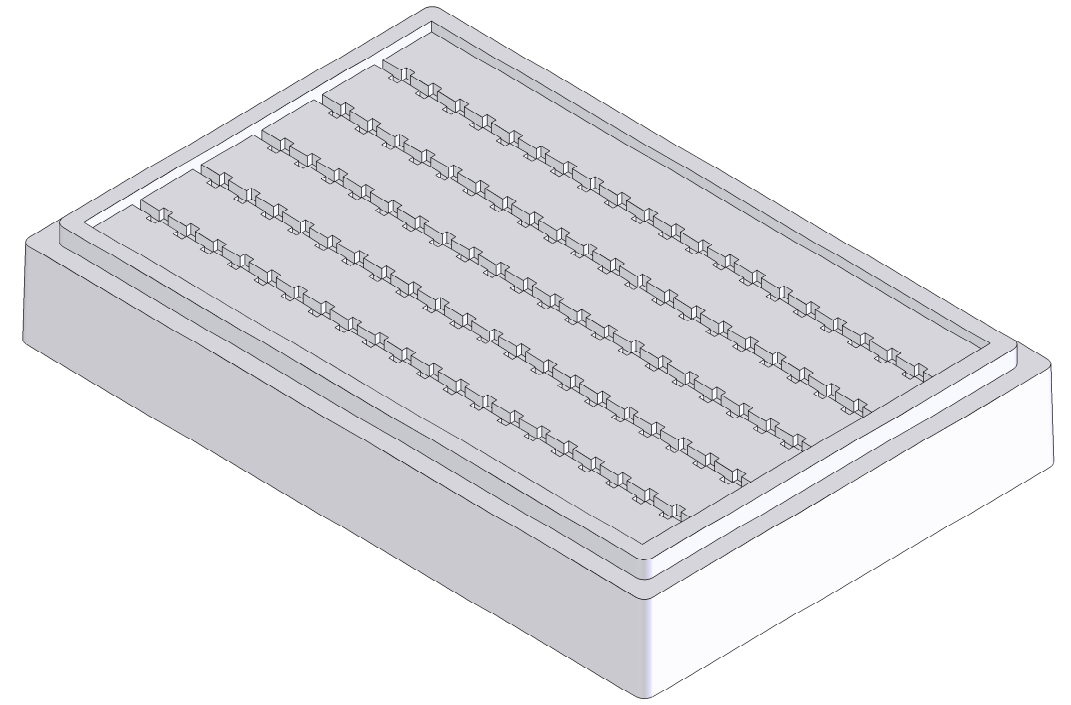
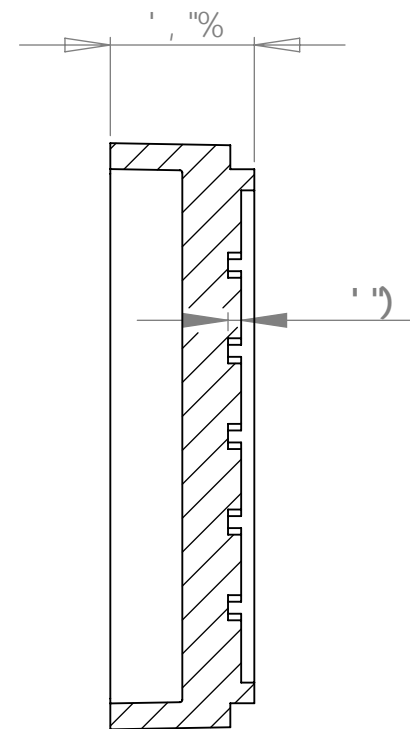
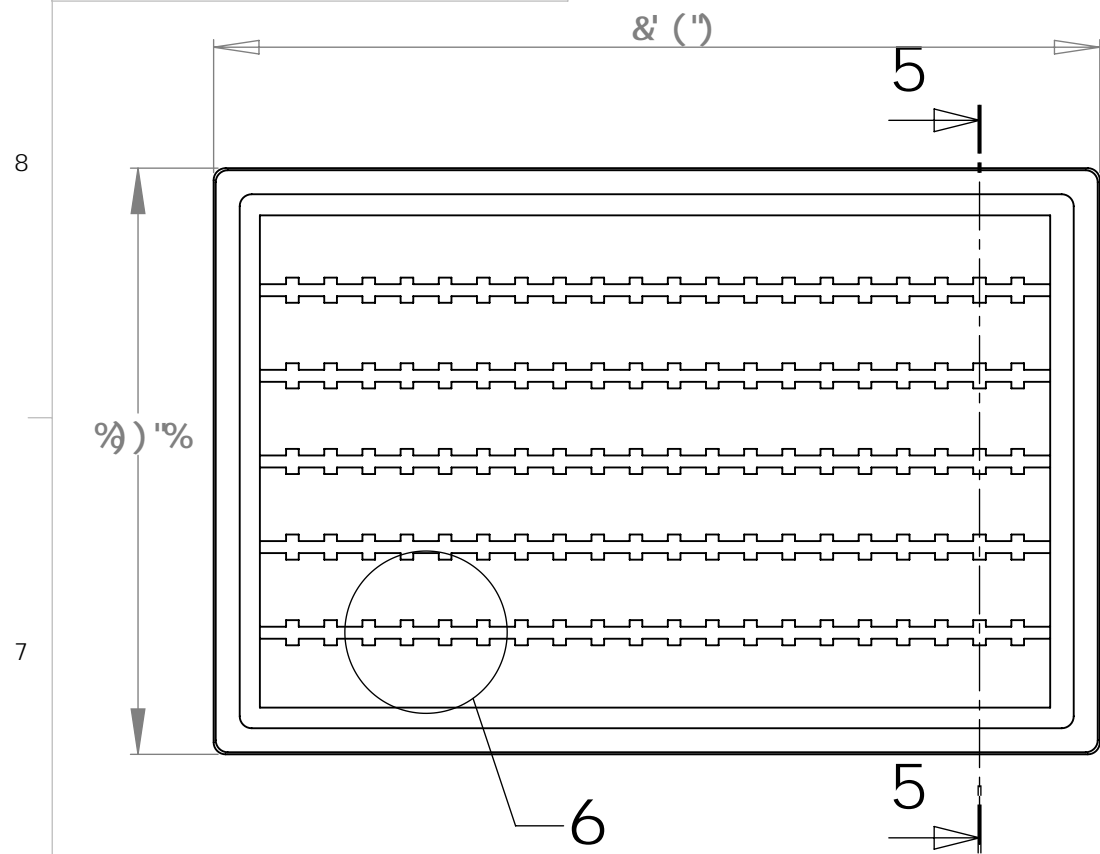
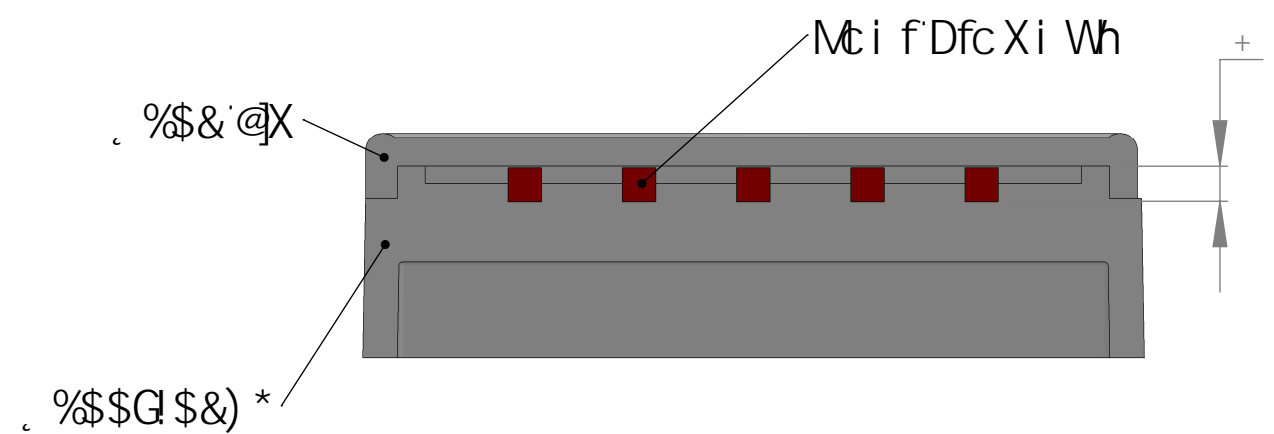
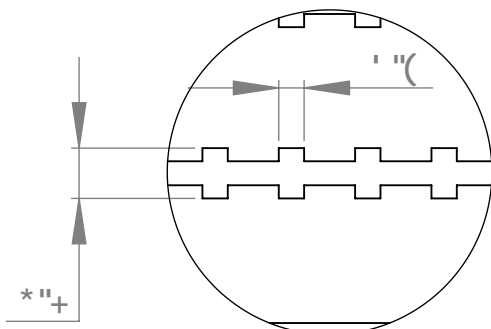


yy y 0go r q/hqco 0eqo



G97 HC B '5!5



BchY.  
 %&'A UHYf]U' Hc 'VY '\* ([ # 'XYbg]hmf( "\$ `V#h 1'9DG  
 &L'GhUj]W/8 ]gg]dUh]j Y  
 ' 1'

8 9H5 @6  
 G7 5 @9%. %

DFC DF-5FM5B87CB: 89H5@  
 H:9 B: C FA 5HC B 7 CBH5 B98 B 1K-G  
 8F5K B: G H: 9 GC @DFC D9F HMC:  
 Vgo r q'Rrcule'E q0'kpe0 5BM  
 F9DFC 8I 7HC B B D5FHCF 5G5 K <C @  
 K H: C I HH: 9K F H9B D9FA GGCB C:  
 Vgo r q'Rrcule'E q0'kpe0 G  
 DFC <6+98"

		I B @GGC H: 9FK @9 QD97 ±98.		B5A 9	85H9	<b>Vgo r q'Rrcule'E q0'kpe0</b>
		8 A 9B GC BG5F9 B B7 <9G HC @F5B7 9G : F57 HC B5 @± 5B: I @5F: A 57 <± .....69B 8 ± HK C D @57 9897 A 5 @± H: F99D @57 9897 A 5 @±	8F5K B	>i b]cf	&#%\$#%\$	
		BHFD9H: 9CA 9H 7 HC @F5B7 B: D9F.	7 <97 ?98			HH @.
		A 5HF 5@	9B: '5DDF"			<b>\$\$\$G! \$&amp;) *</b>
			A: ; '5DDF"			
			E "5"			
B9LH5GGM	I G98 C B		7 C A A 9BHG			GAP 8K ; ""BC "
						F9J
						<b>6</b>
						G7 5 @9. %&
						G<99H% C : %