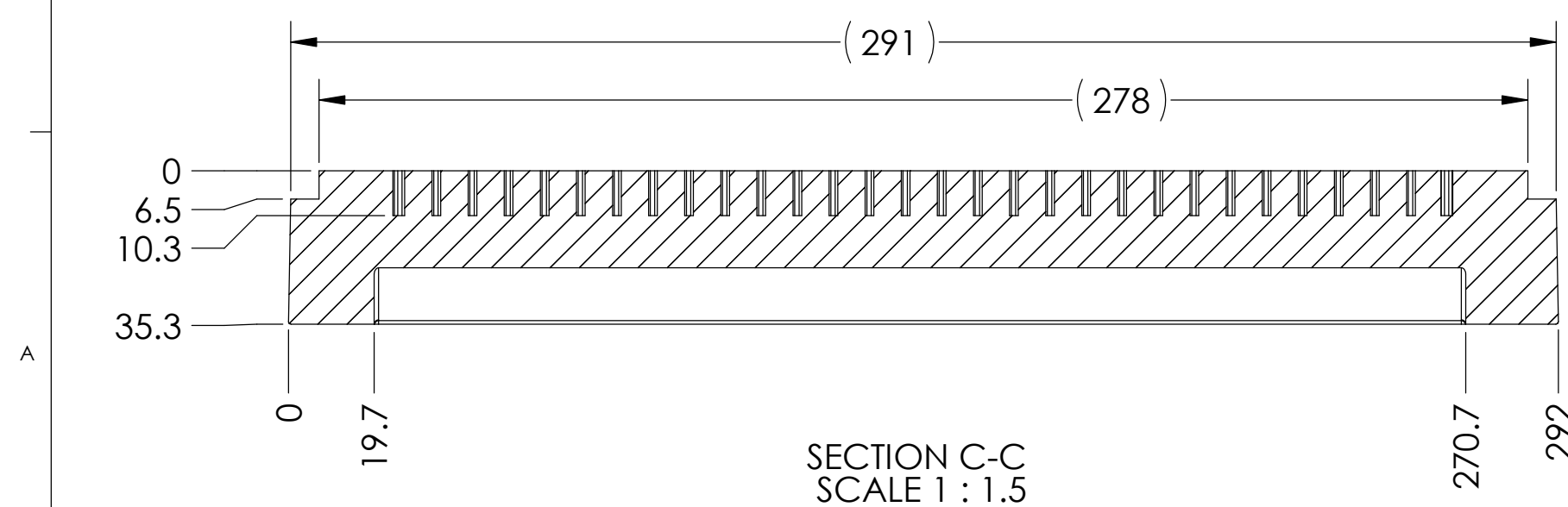


SECTION B-B  
SCALE 1 : 1.5



SECTION C-C  
SCALE 1 : 1.5

- NOTES:
- 1- MATERIAL: DRY MOLDED POLYSTYRENE, 63 gm/liter
  - 2- ALL DIMENSIONS ARE IN MILLIMETERS
  - 3- WEIGHT: 74.1 gm
  - 4- VOLUME: 1157.2 CU CENTIMETERS

**PROPRIETARY AND CONFIDENTIAL**  
 THE INFORMATION CONTAINED IN THIS DRAWING IS THE SOLE PROPERTY OF TEMPO PLASTIC CO., INC. ANY REPRODUCTION IN PART OR AS A WHOLE WITHOUT THE WRITTEN PERMISSION OF TEMPO PLASTIC CO., INC. IS PROHIBITED.

		UNLESS OTHERWISE SPECIFIED:		NAME	DATE	TEMPO PLASTIC CO., INC. 1227 N. MILLER PARK COURT VISALIA, CA 93291	
		DIMENSIONS ARE IN INCHES		DRAWN	J ELLIS	20Jan05	TITLE: <b>48 mm CW PKG BASE</b>
		TOLERANCES:		CHECKED	DBR	20Jan05	
		FRACTIONAL ±		ENG APPR.			
		ANGULAR: MACH ± BEND ±		MFG APPR.	DBR	20Jan05	
		TWO PLACE DECIMAL ±		Q.A.			SIZE DWG. NO. REV <b>C</b> 012005JRE
		THREE PLACE DECIMAL ±		COMMENTS:			
		INTERPRET GEOMETRIC TOLERANCING PER:					SCALE: 1:2 WEIGHT: SHEET 1 OF 1
		MATERIAL					
		FINISH					
NEXT ASSY	USED ON	APPLICATION		DO NOT SCALE DRAWING			