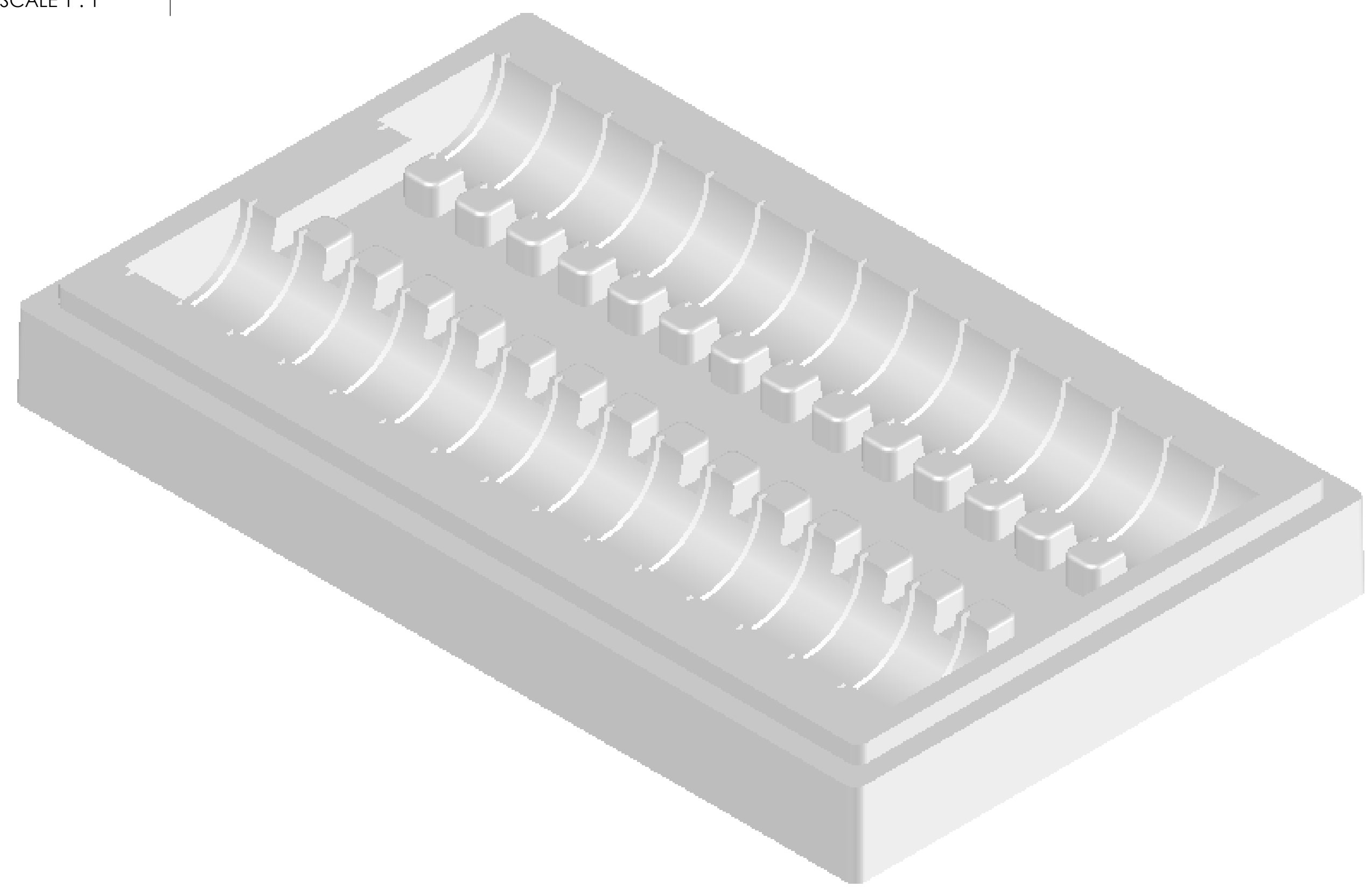
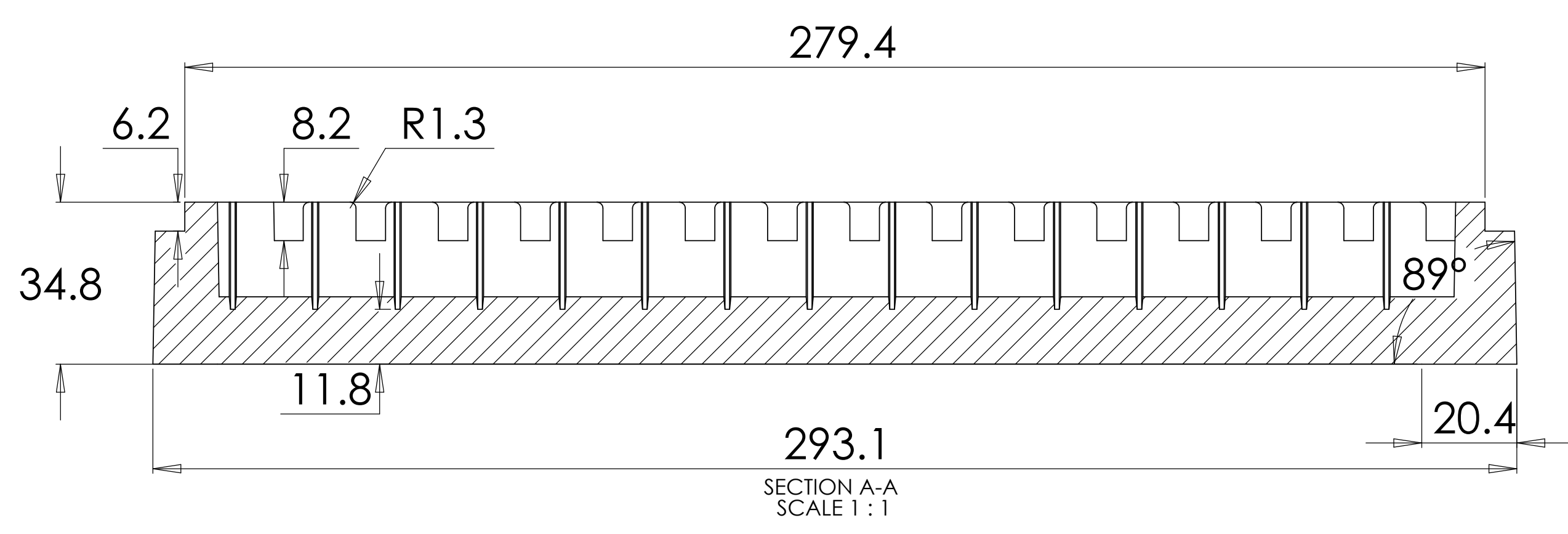


- Note:
- 1) Material To be 64g/l density (4.0 lb/ft³) EPS
 - 2) 1 Degree Draft TYP
 - 3) Volume = 70.9 cubic inches



PROPRIETARY AND CONFIDENTIAL
 THE INFORMATION CONTAINED IN THIS DRAWING IS THE SOLE PROPERTY OF Tempo Plastics Co., Inc. ANY REPRODUCTION IN PART OR AS A WHOLE WITHOUT THE WRITTEN PERMISSION OF Tempo Plastics Co., Inc. IS PROHIBITED.

UNLESS OTHERWISE SPECIFIED:		NAME	DATE	TITLE: 30R-1807
DIMENSIONS ARE IN Millimeters		Cucaron	8/16/05	
TOLERANCES:				
FRACTIONAL ±				
ANGULAR MATCH ±				SIZE DWG. NO. REV D 1
BEND ±				
TWO PLACE DECIMAL ±				SCALE: 1:1 SHEET 1 OF 1
THREE PLACE DECIMAL ±				
MATERIAL		Q.A.		COMMENTS:
INTERPRET GEOMETRIC TOLERANCING PER:				
NEXT ASSY		USED ON		
APPLICATION		FINISH		