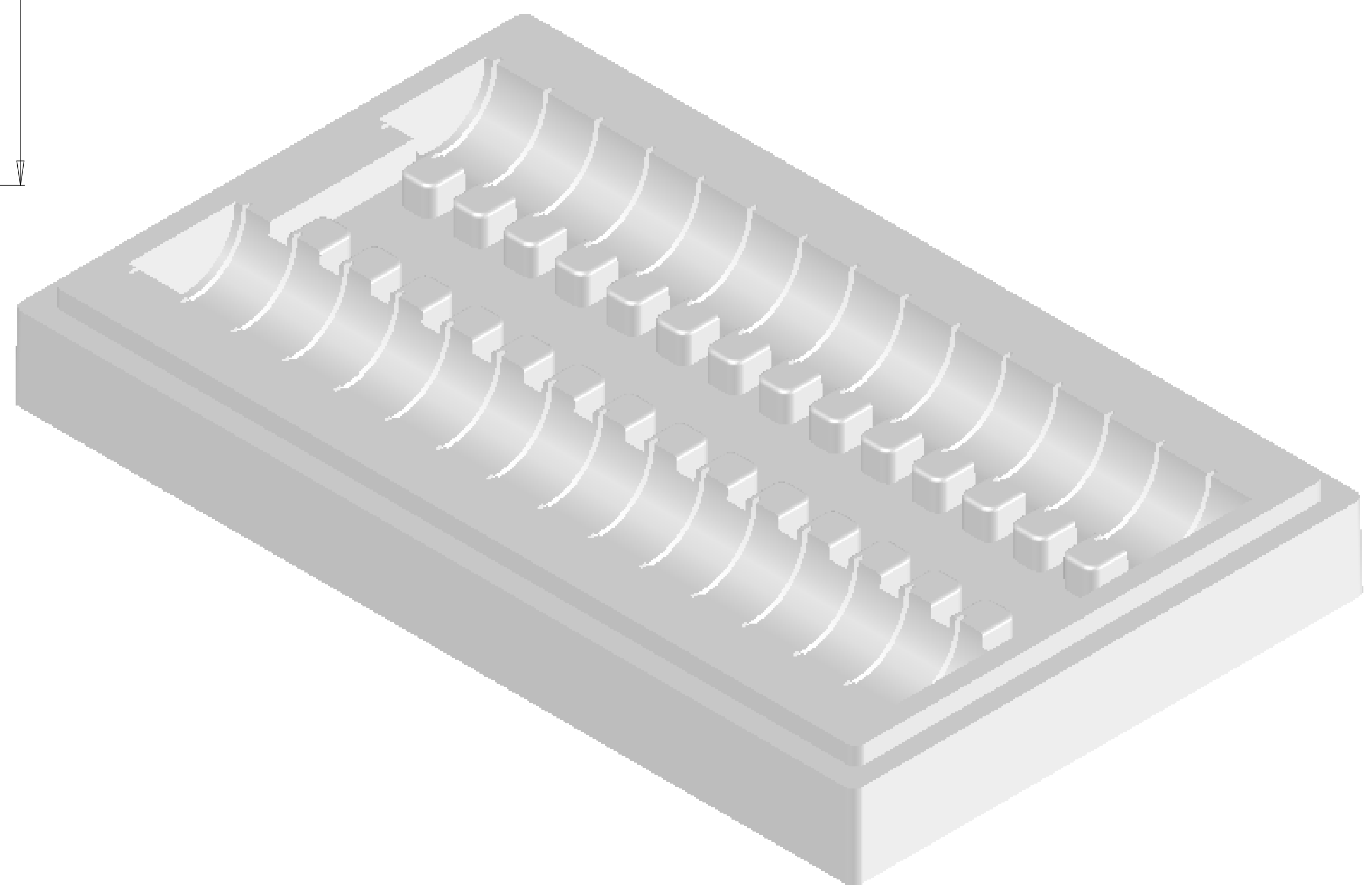
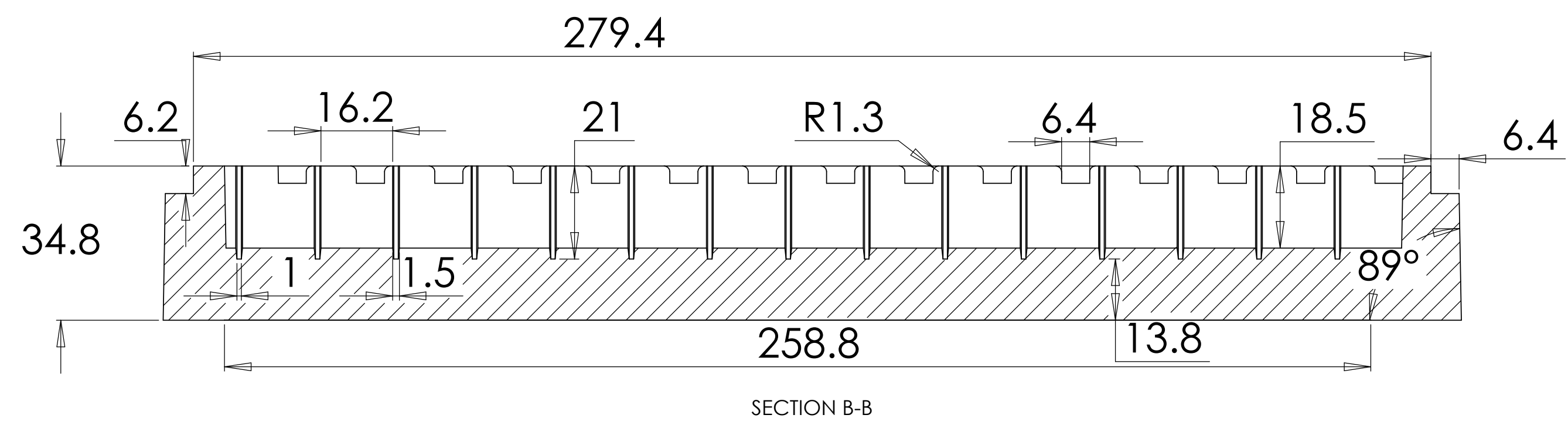


TRUE R3.2
R3.2



Note:

- 1) Material To be 64g/l density (4.0 lb/ft3) EPS
- 2) 1 Degree Draft TYP
- 3) Volume = 74.8 cubic inches

PROPRIETARY AND CONFIDENTIAL
THE INFORMATION CONTAINED IN THIS DRAWING IS THE SOLE PROPERTY OF Tempo Plastics Co., Inc. ANY REPRODUCTION IN PART OR AS A WHOLE WITHOUT THE WRITTEN PERMISSION OF Tempo Plastics Co., Inc. IS PROHIBITED.

UNLESS OTHERWISE SPECIFIED:		NAME	DATE
DIMENSIONS ARE IN Millimeters		Curron	8/17/05
TOLERANCES:			
FRACTIONAL ±		DRAWN	
ANGULAR MATCH ±	BEND ±	CHECKED	
TWO PLACE DECIMAL ±	THREE PLACE DECIMAL ±	ENG APPR:	
		MFG APPR:	
INTERPRET GEOMETRIC TOLERANCING PER:		Q.A.	
MATERIAL:		COMMENTS:	
NEXT ASSY	USED ON	FINISH	
APPLICATION			

TITLE:		
30R-1650		
SIZE	DWG. NO.	REV
D	1	
SCALE: 1:1	SHEET 1 OF 1	