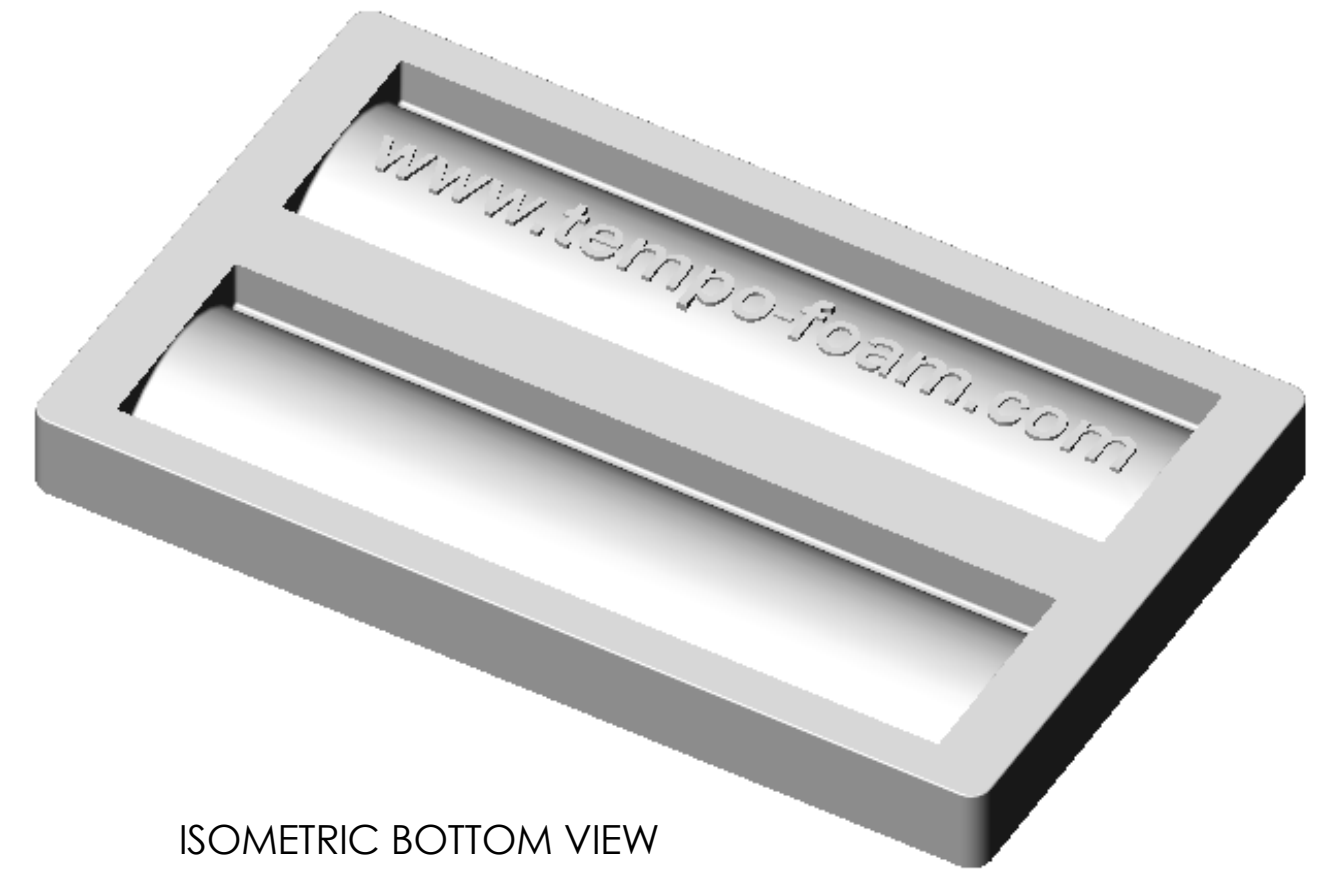
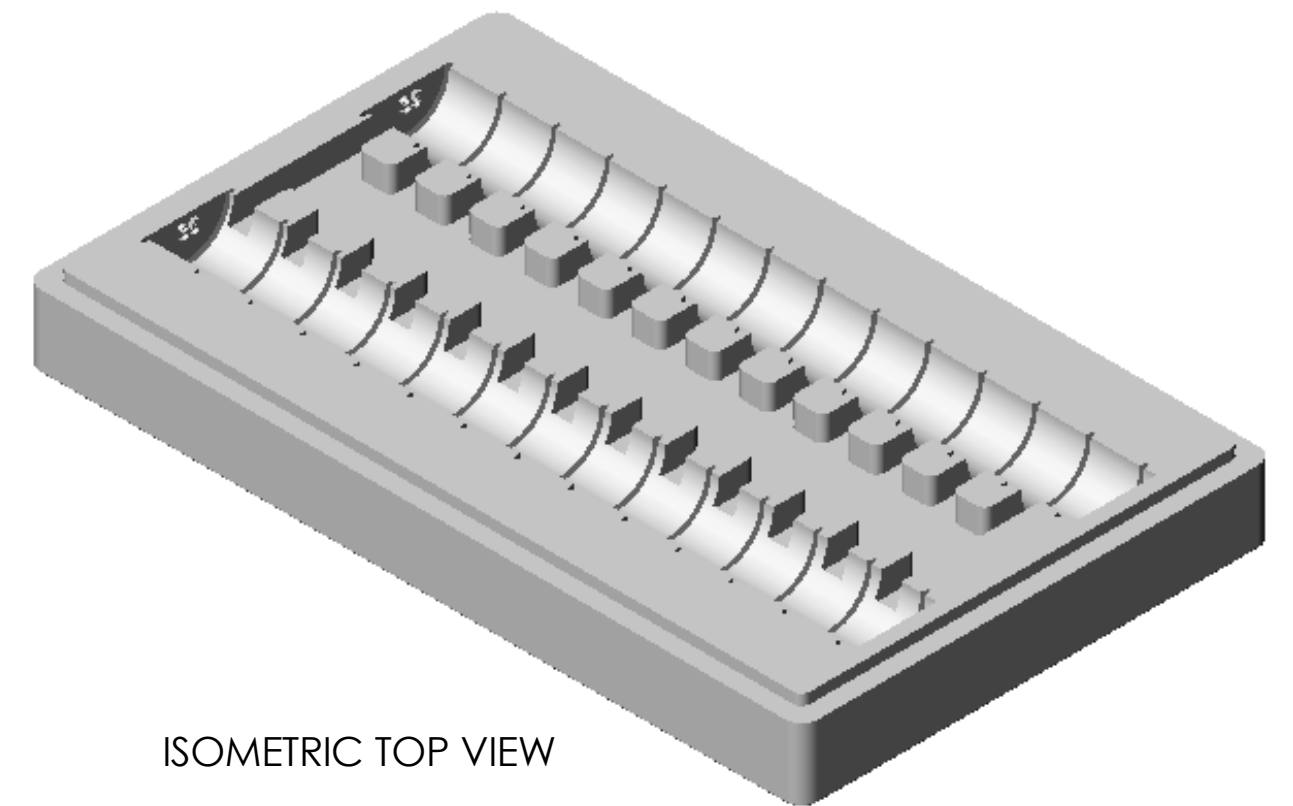


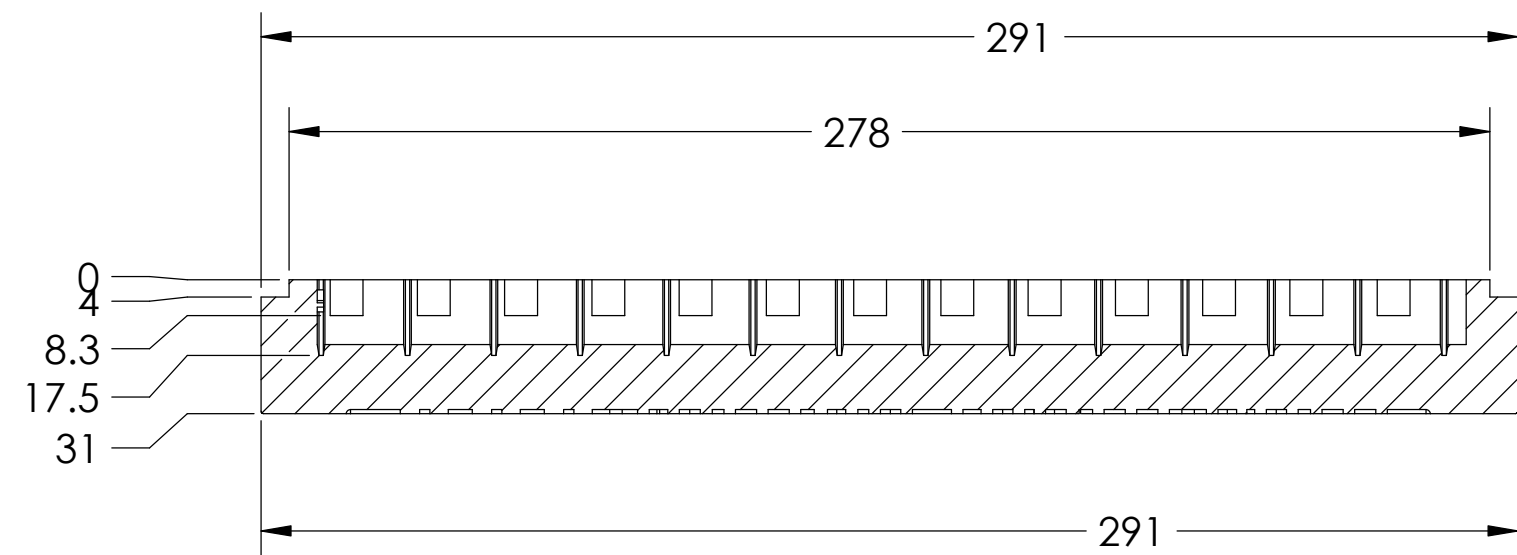
SECTION A-A  
SCALE 1 : 1.75



ISOMETRIC BOTTOM VIEW



ISOMETRIC TOP VIEW



SECTION B-B  
SCALE 1 : 1.75

NOTES:

- 1- MATERIAL: DRY MOLDED POLYSTYRENE, 63 gm/liter
- 2- ALL DIMENSIONS ARE IN MILLIMETERS
- 3- WEIGHT: 70.8 gm
- 4- VOLUME: 1108.9 CU CENTIMETERS

**PROPRIETARY AND CONFIDENTIAL**  
THE INFORMATION CONTAINED IN THIS DRAWING IS THE SOLE PROPERTY OF TEMPO PLASTIC CO., INC. ANY REPRODUCTION IN PART OR AS A WHOLE WITHOUT THE WRITTEN PERMISSION OF TEMPO PLASTIC CO., INC. IS PROHIBITED.

UNLESS OTHERWISE SPECIFIED:		NAME	DATE	TEMPO PLASTIC CO., INC. 1227 N. MILLER PARK COURT VISALIA, CA 93291
DIMENSIONS ARE IN INCHES		DRAWN	J ELLIS	
TOLERANCES:		CHECKED	DBR	29Dec04
FRACTIONAL ±		ENG APPR.		
ANGULAR: MATCH ±		MFG APPR.	DBR	29Dec04
BEND ±		Q.A.		
TWO PLACE DECIMAL ±		COMMENTS:		
THREE PLACE DECIMAL ±				
INTERPRET GEOMETRIC TOLERANCING PER:				
MATERIAL:				
FINISH:				
NEXT ASSY	USED ON			
APPLICATION	DO NOT SCALE DRAWING			

TITLE: <b>35 mm CW PKG BASE</b>		
SIZE	DWG. NO.	REV
<b>C</b>	122904JRE	
SCALE: 1:2	WEIGHT:	SHEET 1 OF 1